

SPECIFICATIONS

Conditions of Sale

STANDARD: Seller's standard conditions of sale set forth in Price Sheet 150 apply, except as modified under "WARRANTY QUALIFICATIONS" on pages 2 and 3.

SPECIAL TO THIS PRODUCT:

NOTE: S&C Type SM and SML Power Fuses are available *separately* only when the ultimate user is an electric utility (investor-owned, municipal, federal, state, county, or REA-financed cooperative) or other qualified power user. These fuses are available to other users in the form of S&C Metal-Enclosed Gear; please refer to your nearest S&C Sales Office. Type SM and SML Power Fuses are also available *separately* to qualified original-equipment manufacturers, for subsequent installation in metal enclosures in accordance with S&C's applicable minimum construction specifications, as set forth under "WARRANTY QUALIFICATIONS" appearing on pages 2 and 3.

INCLUSIONS: Complete mountings include a base, Cypoxy®▲ Insulators, and fuse live parts. Complete mountings are factory-assembled and adjusted, and ready for installation.

SM-4Z, SM-5S, SM-5SS, and SM-20 Power Fuses:

SM-4Z and SM-5S Power Fuses are offered in both the disconnect and non-disconnect styles; SM-5SS Power Fuses in the non-disconnect style only; and SM-20 Power Fuses in the disconnect style only. These power fuses (in either style) consist of three distinct components: a fuse mounting, a holder (SM-4Z, SM-5S, and SM-5SS Power Fuses) or fuse-unit end fittings including Silencer (SM-20 Power Fuses), and a refill unit (SM-4Z, SM-5S, and SM-5SS Power Fuses) or fuse unit (SM-20 Power Fuses). Each component is ordered separately as described on page 3 under "How to Order a Complete Power Fuse."

These power fuses are not designed for live-switching duties.

SML-20 and SML-4Z Power Fuses:

These power fuses are available in the disconnect style only. The SML-20 Power Fuse consists of three distinct components: a fuse mounting including Uni-Rupter™ and the same base as the SM-20 Power Fuse, fuse-unit end fittings (including Silencer) identical to those for the SM-20 Power Fuse, and the same SMU-20® Fuse Unit used with the SM-20 Power Fuse.

The SML-4Z Power Fuse consists of three distinct components: a fuse mounting including Uni-Rupter and the

same base as the SM-20 and SML-20 Power Fuses, a fuse holder similar to the SM-4Z Holder except for the provision of contacts used to operate Uni-Rupter, and the same SM-4® Refill Unit used with SM-4Z Power Fuses. (SM-4Z Holders are not interchangeable with SML-4Z Holders in the same mounting.)

Components for Type SML Power Fuses are ordered separately as described on page 3 under "How to Order a Complete Power Fuse."

SML-20 and SML-4Z Power Fuse Mountings with Uni-Rupter provide 200-ampere single-pole live switching of single-phase and three-phase circuits (on systems where line-to-line voltage does not exceed 27 kV).

EXCLUSIONS: Complete mountings and live parts do not include holders, fuse-unit end fittings, refill units, or fuse units.

Complete mountings and live parts do not include connectors. Various connectors are available as listed in the table on page 12. Specify quantity and catalog number of connectors desired.

SPECIFICATION DEVIATIONS

SM-4Z, SM-5S, SM-5SS, and SM-20 Power Fuses:

Mountings for these power fuses can be supplied less insulators. Add suffix "-Z1" to the catalog number.

Mountings for these power fuses can be supplied less bases but including insulators. Add suffix "-Z4" to the catalog number.

These mountings cannot be supplied for back connection.

Live parts for these power fuses can be purchased separately. See tables on pages 4 and 6.

When these mountings are to be provided with special connectors, consult your nearest S&C Sales Office for availability.

Mountings can be supplied with tin-plated terminal pads. To specify, add suffix "-Z5" to the catalog number. Not applicable to SM-20 Power Fuses, which are equipped with tin-plated terminal pads as a standard feature. Disconnect style parallel SM-5S Power Fuses are furnished with aluminum terminal pads as a standard feature.

▲ *Cypoxy* is the S&C trademark for S&C's cycloaliphatic epoxy resin system. Cypoxy is nontracking, self-scouring, nonweathering . . . there's never a compromise of insulation integrity. S&C Cypoxy station post insulators meet or exceed the electrical and mechanical-strength requirements established in ANSI C29.9 for porcelain standard-strength station post insulators.

★ S&C Power Fuses—Types SM and SML are manufactured in accordance with a quality system certified to ISO 9002.



Conditions of Sale—Continued

SML-4Z and SML-20 Power Fuses:

Mountings for these power fuses cannot be supplied less insulators.

Mountings for these power fuses cannot be supplied less bases but including insulators.

These mountings cannot be supplied for back connection.

Live parts for these power fuses cannot be purchased separately.

When these mountings are to be provided with special connectors, consult your nearest S&C Sales Office for availability.

Application Notes

For SML-4Z and SML-20 Power Fuses only:

S&C Power Fuses with Uni-Rupter are designed for the following single-pole live-switching duties in single-phase or three-phase circuits of distribution systems rated 14.4 kV or 25 kV:

Live Switching—Opening

- **Transformer switching**—transformer load currents up through 200 amperes, as well as transformer magnetizing currents associated with the applicable loads.
- **Line-switching**—load splitting (parallel or loop switching) and load dropping of currents up through 200 amperes; also line dropping (charging currents typical for distribution systems of these voltage ratings).
- **Cable switching**—load splitting (parallel or loop switching) and load dropping of currents up through 200 amperes; also cable dropping (charging currents typical for distribution systems of these voltage ratings).

Live Switching—Closing

- **Circuit closing**—inrush currents associated with the above opening duties.
- **Duty-cycle fault closing**—one-time capability equal to the interrupting rating of the fuse (in amperes RMS asymmetrical):

For the SML-20—22,400 at 14.4 kV, 20,000 at 25 kV:

For the SML-4Z—20,000 at 14.4 kV, 15,000▲ at 25 kV.

And two-time capability of 13,000 amperes RMS asymmetrical at 14.4 kV and 25 kV.

A Note on Single-Pole Switching

In single-pole switching of ungrounded-primary three-phase transformers or banks (or single-phase transformers connected line-to-line), circuit connections or parameters may, in some cases, produce excessive overvoltages. In particular, for the following applications above 22 kV, single-pole switching by any means—including Uni-Rupter—should be performed only under the conditions stated in italics:

- Switching unloaded or lightly loaded delta-connected or ungrounded-primary wye-wye connected three-phase transformers or banks (or line-to-line connected single-phase transformers), rated 150 kVA or less three-phase, or 50 kVA or less single-phase—or of any kVA when combined with unloaded cables or lines—where maximum system operating voltage exceeds 22 kV. *Single-pole switching should be performed only if each phase is carrying 5% load or more, or if the transformer or bank is temporarily grounded at the primary neutral during switching.*
- Switching loaded or unloaded ungrounded-primary wye-delta connected three-phase transformers or banks—alone or combined with unloaded cables or lines—where maximum system operating voltage exceeds 22 kV. *Single-pole switching should be performed only if each phase is carrying 5% load or more and if the lighting-load phase is always switched open first (or switched closed last); or if the transformer or bank is temporarily grounded at the primary neutral during switching.*

WARRANTY QUALIFICATIONS: For the standard warranty contained in seller's standard conditions of sale (as set forth in Price Sheet 150) to apply to S&C Power Fuses—Types SM-4Z, SML-4Z, SM-5S, SM-5SS, SM-20, or SML-20 when installed in indoor, outdoor, or indoor-outdoor enclosures of other than S&C manufacture, the enclosures must be constructed in accordance with S&C's applicable minimum construction specifications to be found in the current revision of one of the following publications:

DATA BULLETIN 252-62:

S&C Power Fuses
Type SM
Indoor Distribution
(4.16 kV through 34.5 kV)

Minimum Construction Specifications
For Indoor and Outdoor
Metal Enclosures with Fuses

DATA BULLETIN 252-64:

S&C Power Fuses
Type SML
Indoor Distribution
(13.8 kV and 25 kV)

Minimum Construction Specifications
For Indoor and Outdoor
Metal Enclosures with Fuses

DATA BULLETIN 792-60:

S&C Alduti-Rupter®
Switches with Power Fuses
Indoor Distribution
(4.8 kV and 13.8 kV)

Minimum Construction Specifications
For Metal Enclosures—Indoor and
Outdoor

■ These values represent the fault-closing capabilities of the fuse with Uni-Rupter when the fuse is closed with a purposeful thrust without hesitation. The values are the available fault currents into which the fuse can be closed the specified number of times (once or twice), with Uni-Rupter remaining operable and able to carry and interrupt rated current.

▲ 20,000 amperes RMS asymmetrical when applied on solidly-grounded-neutral systems only with fuses connected by single-conductor, concentric-neutral type cable (or directly coupled) to a transformer or transformers.



DATA BULLETIN 795-60:

S&C Mini-Rupter®
Switches with Power Fuses
Indoor Distribution
(4.8 kV and 14.4 kV)

Minimum Construction Specifications
For Metal Enclosures—Indoor and
Outdoor

For the standard warranty contained in seller's standard conditions of sale (as set forth in Price Sheet 150) to apply to live parts when purchased separately, the live parts must be assembled on mountings in accordance with instructions to be found in the current revision of one of the following publications:

INSTRUCTION SHEET 252-505:

S&C Power Fuses
Types SM-4Z and SM-5S
Indoor Distribution

Live Parts for Disconnect Style

INSTRUCTION SHEET 252-510:

S&C Power Fuses
Types SM-4Z, SM-5S, and
SM-5SS
Indoor Distribution

Live Parts for Non-Disconnect Style

INSTRUCTION SHEET 252-535:

S&C Power Fuses
Type SM-20
Indoor Distribution

Live Parts for Disconnect Style

With respect to S&C Power Fuses—Types SM or SML when installed in submersible enclosures of other than S&C manufacture, warranty does not apply unless enclosures are furnished by an approved supplier and are of watertight construction providing proper electrical clearances and proper space for fuse handling.

The standard warranty contained in seller's standard conditions of sale (as set forth in Price Sheet 150) does not apply when fuses of other than S&C manufacture are used in S&C SM or SML Mountings or when S&C Holders, Refill Units, or Fuse Units are used in mountings of other than S&C manufacture.

How to Order a Complete Power Fuse Types SM-4Z, SML-4Z, SM-5S, and SM-5SS

1. Obtain the catalog number of the desired mounting from the "Mounting" column on pages 4 through 6. If only live parts are desired, refer to the "Live Parts" column. **Note:** Live parts for SML-4Z Power Fuses cannot be purchased separately.
2. Obtain the catalog number of the applicable holder from the "Holder" column on pages 4 through 6, reading from the same line in which the selected mounting is listed.

3. Obtain the catalog number of the applicable refill unit from the tables on pages 7 through 9, taking care to match the refill unit type to that of the mounting, and to select the voltage rating of the refill unit as directed in the refill unit tables. **Note:** For each mounting rated 720E amperes, order two holders and two refill units.
4. Obtain the catalog number of the desired connector from the table on page 12. Order two connectors for each mounting or set of live parts.

Note: Parts, insulating barrier assemblies, and switch blades listed on pages 13 and 14 are ordered using the method outlined above.

How to Order Handling Tools

Obtain the catalog number(s) of recommended handling tool(s) from the table on page 14. Refer to Specification Bulletin 851-31.

Types SM-20 and SML-20

1. Obtain the catalog number of the desired mounting from the "Mounting" column on pages 4 and 5. If only live parts are desired, use the "Live Parts" column. **Note:** Live parts for SML-20 Power Fuses cannot be purchased separately.
2. Obtain the catalog number of the applicable fuse unit end fittings from the same table used to select the mounting.
3. Obtain the catalog number of the applicable fuse unit from the tables on pages 10 and 11, taking care to match the voltage rating of the fuse unit to that of the mounting.
4. Obtain the catalog number of the desired connector from the table on page 12. Order two connectors for each mounting or set of live parts.

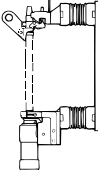
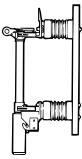
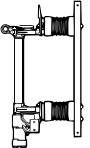
Note: Parts, insulating barrier assemblies, and switch blades listed on pages 13 and 14 are ordered using the method outlined above.

How to Order Handling Tools

Obtain the catalog number(s) of recommended handling tool(s) from the table on page 14. Refer to Specification Bulletin 851-31.



SM POWER FUSES—Disconnect Style—Less Connectors and less Refill Units or Fuse Units

Style	Fuse Type	Rating					Mounting ^② (including Live Parts, less Fuse-Unit End Fittings or Holder)		Fuse-Unit End Fittings ^③ (SM-20) or Holder ^④ (SM-4Z or SM-5S)		Live Parts (less Fuse-Unit End Fittings or Holder)	Page Reference for Dimensional Information
		kV			Amperes, RMS		Type	Catalog Number	Type	Catalog Number		
		Nom.	Max	BIL	Max	Inter-rupting ^① (Sym.)					Number	
Disconnect 45° Opening Silencer Vertical	SM-20 	13.8 25 34.5	17.0 27 38	95 125 150	200K or 200E	14 000 12 500 8 450	SM-20	90422 90423 90424	SM-20	3097 3097 3097	5040 5040 5044	15 15 15
	SM-4Z 	4.8 13.8 25 34.5	5.5 17.0 27 38	60 95 150 200	200E 200E 200E 200E	17 200 12 500 9 400▼ 6 250	SM-4	87360R2 87362R2 87063R1 187654★	SM-4Z	86631R2● 86632R2▶ 86633R2 86634R2	87369	16 16 16 17
Disconnect 45° Opening Snuffler Vertical	SM-5S 	4.8 4.8 13.8 13.8 25 34.5	5.5 5.5 17.0 17.0 27 38	60 60 95 95 150 200	400E 720E 400E 720E 300E 300E	27 000◆ 27 000◆ 25 000 25 000 20 000 17 500	SM-5	87440R3 87150R4▲ 87442R3 87152R4▲ 87073R1 187664■	SM-5S	86641R2● 86641R2● 86642R2▶ 86642R2▶ 86643R2 86644R2	87449R2 87159R3 87449R2 87159R3 87449R2 87449R2	16 18 16 18 16 17

① Symmetrical ratings assigned are based on available short-circuit current at locations where the X/R ratio is 15. The interrupting ratings expressed in amperes RMS asymmetrical are 1.6 times the symmetrical ratings listed. Higher symmetrical ratings have been determined for these fuses where X/R=10 and X/R=5. These higher ratings as well as asymmetrical ratings are given in S&C Descriptive Bulletin 252-30.

② These mountings cannot be supplied for back connection.

③ Includes Silencer.

④ Includes Silencer (SM-4Z) or Snuffler (SM-5S).

▼ Rating is 12,500 amperes RMS symmetrical when applied on solidly grounded-neutral systems only with fuses connected by single-conductor, concentric-neutral type cable (or directly coupled) to a transformer or transformers.

◆ Applies to 7.2-kV refill unit in 7.2-kV holder for 4.8-kV system voltage only. Rating is 37,500 amperes RMS symmetrical for 4.16-kV refill unit in 7.2-kV holder for system voltages through 4.16 kV.

★ Supersedes 34.5-kV, 150-kV BIL SM-4 Mounting Catalog Number 187634 and 34.5-kV, 200-kV BIL SM-4 Mounting Catalog Number 187534R1.

▲ Two holders required with each mounting.

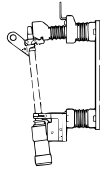
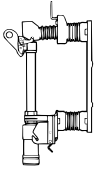
■ Supersedes 34.5-kV, 150-kV BIL SM-5 Mounting Catalog Number 187644 and 34.5-kV, 200-kV BIL SM-5 Mounting Catalog Number 187544R2.

● Rated 7.2 kV nominal, for use in listed 4.8-kV mountings for system voltages through 4.8 kV, or in discontinued 7.2-kV mountings for system voltages through 7.2 kV.

▶ Rated 14.4 kV nominal, for use in listed 13.8-kV mountings or in discontinued 14.4-kV mountings.



SML POWER FUSES—Disconnect Style—Less Connectors and less Refill Units or Fuse Units

Style	Fuse Type	Rating						Mounting ^③ (including Live Parts, less Fuse-Unit End Fittings or Holder)		Fuse-Unit End Fittings ^④ (SML-20) or Holder ^④ (SML-4Z)		Page Reference for Dimensional Information
		kV			Amperes, RMS			Type	Catalog Number	Type	Catalog Number	
		Nom.	Max	BIL	Max	Load Dropping ^①	Inter-rupting ^② (Sym.)					
Disconnect 45° Opening Silencer Vertical	SML-20 	13.8	17.0	95	200K or 200E	200	14 000	SML-20	90412	SML-20	3097	19
		25	27	125		200		12 500	SML-20	90413	SML-20	3097
	SML-4Z 	13.8	17.0	95	200E	200	12 500	SML-4	90322	SML-4Z	92352★	20
		25	27	125		200E		200	9 400▲	SML-4	90323	SML-4Z

① The Uni-Rupter associated with these fuses can carry and interrupt load current up to and including the emergency peak-load capabilities of the fuses. Furthermore, the fuse with Uni-Rupter has a one-time duty-cycle fault-closing capability equal to the interrupting rating of the fuse (expressed in amperes RMS *asymmetrical*), and a two-time duty-cycle fault-closing capability of 13,000 amperes RMS asymmetrical. The duty-cycle fault-closing capability defines the level of available fault current into which the fuse can be closed the specified number of times (once or twice), without quick-make mechanism and when operated vigorously through its full travel without hesitation at any point, with the Uni-Rupter remaining operable and able to carry and interrupt current up to the emergency peak-load capabilities of the fuse.

② Symmetrical ratings assigned are based on available short-circuit current at locations where the X/R ratio is 15. The interrupting ratings

expressed in amperes RMS asymmetrical are 1.6 times the symmetrical ratings listed. Higher symmetrical ratings have been determined for these fuses where X/R=10 and X/R=5. These higher ratings as well as asymmetrical ratings are given in S&C Descriptive Bulletin 252-30.

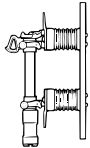
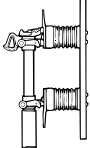
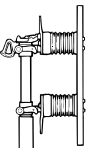
③ These mountings cannot be supplied for back connection.

④ Includes Silencer.

▲ Rating is 12,500 amperes RMS symmetrical when applied on solidly grounded-neutral systems only with fuses connected by single-conductor, concentric-neutral type cable (or directly coupled) to a transformer or transformers.

★ Rated 14.4 kV nominal, for use in listed 13.8-kV mountings.

SM POWER FUSES—Non-Disconnect Style—Less Connectors and less Refill Units

Style	Fuse Type	Rating					Mounting ^② (including Live Parts, less Holder)		Holder ^③		Live Parts (less Holder)	Page Reference for Dimensional Information
		kV			Amperes, RMS		Type	Catalog Number	Type	Catalog Number	Catalog Number	
		Nom.	Max	BIL	Max	Inter- rupting ^① (Sym.)						
Non Disconnect Silencer Vertical		4.8	5.5	60	200E	17 200	SM-4	87200R2	SM-4Z	86801R2●	87109	21
		13.8	17.0	95	200E	12 500		87202R2		86802R2▶		21
		25	27	150	200E	9 400▼		87043R1		86803R2		21
		34.5	38	200	200E	6 250		187674★		86804R2		22
Non Disconnect Snuffler Vertical		4.8	5.5	60	400E	27 000◆	SM-5	87600R3	SM-5S	86811R2●	87509R2	21
		13.8	17.0	95	400E	25 000		87602R3		86812R2▶		21
		25	27	150	300E	20 000		87053R1		86813R2		21
		34.5	38	200	300E	17 500		187684■		86814R2		22
Non Disconnect Super Snuffler Vertical		13.8	15.5	95	400E	34 000▲	SM-5	87602R3	SM-5SS	86402R2▶	87509R2	21

① Symmetrical ratings assigned are based on available short-circuit current at locations where the X/R ratio is 15. The interrupting ratings expressed in amperes RMS asymmetrical are 1.6 times the symmetrical ratings listed. Higher symmetrical ratings have been determined for these fuses where X/R=10 and X/R=5. These higher ratings as well as asymmetrical ratings are given in S&C Descriptive Bulletin 252-30.

② These mountings cannot be supplied for back connection.

③ Includes Silencer (SM-4Z), Snuffler (SM-5S), or Super Snuffler (SM-5SS).

▼ Rating is 12,500 amperes RMS symmetrical when applied on solidly grounded-neutral systems only with fuses connected by single-conductor, concentric-neutral type cable (or directly coupled) to a transformer or transformers.

◆ Applies to 7.2-kV refill unit in 7.2-kV holder for 4.8-kV system voltage only. Rating is 37,500 amperes RMS symmetrical for 4.16-kV refill unit in 7.2-kV holder for system voltages through 4.16 kV.

▲ 60-hertz only.

★ Supersedes 34.5-kV, 150-kV BIL SM-4 Mounting Catalog Number 190034 and 34.5-kV, 200-kV BIL SM-4 Mounting Catalog Number 190304R1.

■ Supersedes 34.5-kV, 150-kV BIL SM-5 Mounting Catalog Number 190044 and 34.5-kV, 200-kV BIL SM-5 Mounting Catalog Number 190404R2.

● Rated 7.2 kV nominal, for use in listed 4.8-kV mountings for system voltages through 4.8 kV, or in discontinued 7.2-kV mountings for system voltages through 7.2 kV.

▶ Rated 14.4 kV nominal, for use in listed 13.8-kV mountings or in discontinued 14.4-kV mountings.



SMU-20® FUSE UNITS (For use in SM-20 or SML-20 Mountings)①

14.4 kV Nominal, 17.0 kV Max					
"K" Ratings		"E" Ratings			
Rating, Amperes ↓	Catalog Number	Rating, Amperes ↓	Catalog Number		
Speed →	S&C "K" TCC 165-2	Speed →	S&C Std. TCC 115-2		
		1	702001		
		Speed →	S&C Std. TCC 153-2	S&C Slow TCC 119-2	S&C Very Slow TCC 176-2
3K	702003	5E	612005		
6K	702006	7E	612007		
8K	702008	10E	612010		
10K	702010	13E	612013		
12K	702012	15E	612015	712015	
15K	702015	20E	612020	712020	
20K	702020	25E	612025	712025	
25K	702025	30E	612030	712030	
30K	702030	40E	612040	712040	
40K	702040	50E	612050	712050	602050
50K	702050	65E	612065	712065	602065
65K	702065	80E	612080	712080	602080
80K	702080	100E	612100	712100	602100
100K	702100	125E	612125	712125	602125
140K	702140	150E	612150	712150	602150
200K	702200	175E	612175	712175	602175
		200E	612200	712200	602200

① These fuse units are equally suitable for use in SMD-20 Outdoor Distribution Mountings; and also, for use with SME-20 Fuse-Unit End Fittings listed in Specification Bulletin 665-31, "S&C Manual PME Pad-Mounted Gear" and Specification Bulletin 666-31, "S&C Remote Supervisory PME Pad-Mounted Gear."

TABLE CONTINUED ►



SMU-20® FUSE UNITS (For use in SM-20 or SML-20 Mountings)①

25 kV Nominal, 27 kV Max②③					
"K" Ratings		"E" Ratings			
Rating, Amperes ↓	Catalog Number	Rating, Amperes ↓	Catalog Number		
Speed →	S&C "K" TCC 165-2	Speed →	S&C Std. TCC 115-2		
		1	703001		
		Speed →	S&C Std. TCC 153-2	S&C Slow TCC 119-2	S&C Very Slow TCC 176-2
3K	703003	5E	613005		
6K	703006	7E	613007		
8K	703008	10E	613010		
10K	703010	13E	613013		
12K	703012	15E	613015	713015	
15K	703015	20E	613020	713020	
20K	703020	25E	613025	713025	
25K	703025	30E	613030	713030	
30K	703030	40E	613040	713040	
40K	703040	50E	613050	713050	603050
50K	703050	65E	613065	713065	603065
65K	703065	80E	613080	713080	603080
80K	703080	100E	613100	713100	603100
100K	703100	125E	613125	713125	603125
140K	703140	150E	613150	713150	603150
200K	703200	175E	613175	713175	603175
		200E	613200	713200	603200

34.5 kV Nominal, 38 kV Max					
"K" Ratings		"E" Ratings			
Rating, Amperes ↓	Catalog Number	Rating, Amperes ↓	Catalog Number		
Speed →	S&C "K" TCC 165-2	Speed →	S&C Std. TCC 115-2		
		1	704001		
		Speed →	S&C Std. TCC 153-2	S&C Slow TCC 119-2	S&C Very Slow TCC 176-2
3K	704003	5E	614005		
6K	704006	7E	614007		
8K	704008	10E	614010		
10K	704010	13E	614013		
12K	704012	15E	614015	714015	
15K	704015	20E	614020	714020	
20K	704020	25E	614025	714025	
25K	704025	30E	614030	714030	
30K	704030	40E	614040	714040	
40K	704040	50E	614050	714050	604050
50K	704050	65E	614065	714065	604065
65K	704065	80E	614080	714080	604080
80K	704080	100E	614100	714100	604100
100K	704100	125E	614125	714125	604125
140K	704140	150E	614150	714150	604150
200K	704200	175E	614175	714175	604175
		200E	614200	714200	604200

① These fuse units are equally suitable for use in SMD-20 Outdoor Distribution Mountings.

② These fuse units are equally suitable for use with SME-20 Fuse-Unit End Fittings listed in Specification Bulletin 665-31, "S&C Manual PME

Pad-Mounted Gear" and Specification Bulletin 666-31, "S&C Remote Supervisory PME Pad-Mounted Gear."

③ Also suitable for protection of single-phase-to-neutral circuits (lines or transformers) on 20/34.5 GrY-kV systems.



SM-4® REFILL UNITS (For use in SM-4 and SML-4 Holders)

Rating, Amperes ↓	7.2 kV Nominal, 8.3 kV Max ^①		14.4 kV Nominal, 17.0 kV Max ^{②③}		
	Catalog Number		Catalog Number		
Speed →	S&C Std. TCC 115-4		S&C Std. TCC 115-4		
1	121001R4		122001R4		
2	121002R4		122002R4		
Speed →	S&C Std. TCC 153-4	S&C Slow TCC 119-4	S&C Std. TCC 153-4	S&C Slow TCC 119-4	S&C Coord. TCC 179-4
3E	121005R4		122005R4		
5E	121007R4		122007R4		
7E	121010R4		122010R4		
10E	121015R4		122015R4		
13E	121020R4		122020R4		
15E	121025R4	251025R4	122025R4	252025R4	
20E	121030R4	251030R4	122030R4	252030R4	
25E	121040R4	251040R4	122040R4	252040R4	
30E	121050R4	251050R4	122050R4	252050R4	
40E	121060R4	251060R4	122060R4	252060R4	
50E	121075R4	251075R4	122075R4	252075R4	
65E	121100R4	251100R4	122100R4	252100R4	
80E	121125R4	251125R4	122125R4	252125R4	
100E	121150R4	251150R4	122150R4	252150R4	
125E	121200R4	251200R4	122200R4	252200R4	
150E	121250R4	251250R4	122250R4	252250R4	
175E	121275R4	251275R4	122275R4	252275R4	
200E	121300R4	251300R4	122300R4	252300R4	
210					382210R4■
Rating, Amperes ↓	25 kV Nominal, 27 kV Max ^②		34.5 kV Nominal, 38 kV Max		
	Catalog Number		Catalog Number		
Speed →	S&C Std. TCC 115-4		S&C Std. TCC 115-4		
1	123001R4		124001R4		
2	123002R4		124002R4		
Speed →	S&C Std. TCC 153-4	S&C Slow TCC 119-4	S&C Std. TCC 153-4	S&C Slow TCC 119-4	
3E	123005R4		124005R4		
5E	123007R4		124007R4		
7E	123010R4		124010R4		
10E	123015R4		124015R4		
13E	123020R4		124020R4		
15E	123025R4	253025R4	124025R4	254025R4	
20E	123030R4	253030R4	124030R4	254030R4	
25E	123040R4	253040R4	124040R4	254040R4	
30E	123050R4	253050R4	124050R4	254050R4	
40E	123060R4	253060R4	124060R4	254060R4	
50E	123075R4	253075R4	124075R4	254075R4	
65E	123100R4	253100R4	124100R4	254100R4	
80E	123125R4	253125R4	124125R4	254125R4	
100E	123150R4	253150R4	124150R4	254150R4	
125E	123200R4	253200R4	124200R4	254200R4	
150E	123250R4	253250R4	124250R4	254250R4	
175E	123275R4	253275R4	124275R4	254275R4	
200E	123300R4	253300R4	124300R4	254300R4	

① Rated 7.2 kV nominal, for use in SM-4 Holders rated 7.2 kV when applied in listed mountings rated 4.8 kV or in discontinued mountings rated 7.2 kV.

② These refill units are also suitable for use with SME-4Z Holders listed in Specification Bulletin 665-31, "S&C Manual PME Pad-Mounted Gear" and Specification Bulletin 666-31, "S&C Remote Supervisory PME Pad-Mounted Gear."

③ Rated 14.4 kV nominal, for use in SM-4 Holders rated 14.4 kV when applied in listed mountings rated 13.8 kV or in discontinued mountings rated 14.4 kV.

■ This S&C Coordinating Speed refill unit should be applied where the maximum continuous load current does not exceed 200 amperes and where all fault currents below 1000 amperes will be cleared by another fuse.



SM-5® REFILL UNITS (For use in SM-5 Holders)

Rating, Amperes ↓	4.16 kV Nominal, 4.76 kV Max ^①			7.2 kV Nominal, 8.3 kV Max ^②		
	Catalog Number			Catalog Number		
Speed →	S&C Std. TCC 115-4			S&C Std. TCC 115-4		
1	130001R4			131001R4		
2	130002R4			131002R4		
Speed →	S&C Std. TCC 153-4	S&C Slow TCC 119-4	S&C Coord. TCC 173-4	S&C Std. TCC 153-4	S&C Slow TCC 119-4	S&C Coord. TCC 173-4
3E	130005R4			131005R4		
5E	130007R4			131007R4		
7E	130010R4			131010R4		
10E	130015R4			131015R4		
13E	130020R4			131020R4		
15E	130025R4	260025R4		131025R4		
20E	130030R4	260030R4		131030R4		
25E	130040R4	260040R4		131040R4		
30E	130050R4	260050R4		131050R4		
40E	130060R4	260060R4		131060R4		
50E	130075R4	260075R4		131075R4		
65E	130100R4	260100R4		131100R4		
80E	130125R4	260125R4		131125R4		
100E	130150R4	260150R4		131150R4		
125E	130200R4	260200R4		131200R4		
150E	130250R4	260250R4		131250R4		
175E	130275R4	260275R4		131275R4		
200E	130300R4	260300R4		131300R4		
250E	130400R4	260400R4		131400R4	261400R4	
300E	130500R4	260500R4		131500R4	261500R4	
400E	130600R4	260600R4		131600R4	261600R4	
410			381410R4▲■			381410R4■
420			381420R4▲■			381420R4■
Rating, Amperes ↓	14.4 kV Nominal, 17.0 kV Max ^③			25 kV Nominal, 27 kV Max		
	Catalog Number			Catalog Number		
Speed →	S&C Std. TCC 115-4			S&C Std. TCC 115-4		
1	132001R4			133001R4		
2	132002R4			133002R4		
Speed →	S&C Std. TCC 153-4	S&C Slow TCC 119-4	S&C Coord. TCC 173-4	S&C Std. TCC 153-4	S&C Slow TCC 119-4	
3E	132005R4			133005R4		
5E	132007R4			133007R4		
7E	132010R4			133010R4		
10E	132015R4			133015R4		
13E	132020R4			133020R4		
15E	132025R4	262025R4		133025R4	263025R4	
20E	132030R4	262030R4		133030R4	263030R4	
25E	132040R4	262040R4		133040R4	263040R4	
30E	132050R4	262050R4		133050R4	263050R4	
40E	132060R4	262060R4		133060R4	263060R4	
50E	132075R4	262075R4		133075R4	263075R4	
65E	132100R4	262100R4		133100R4	263100R4	
80E	132125R4	262125R4		133125R4	263125R4	
100E	132150R4	262150R4		133150R4	263150R4	
125E	132200R4	262200R4		133200R4	263200R4	
150E	132250R4	262250R4		133250R4	263250R4	
175E	132275R4	262275R4		133275R4	263275R4	
200E	132300R4	262300R4		133300R4	263300R4	
250E	132400R4	262400R4		133400R4	263400R4	
300E	132500R4	262500R4		133500R4	263500R4	
400E	132600R4	262600R4				
410			382410R4■			
420			382420R4■			

① Rated 4.16 kV nominal, for use in SM-5 Holders rated 7.2 kV when applied in listed mountings rated 4.8 kV for system voltages through 4.16 kV.

② Rated 7.2 kV nominal, for use in SM-5 Holders rated 7.2 kV when applied in listed mountings rated 4.8 kV for 4.8-kV system voltage only, or in discontinued mountings rated 7.2 kV for system voltages of 4.8 kV through 7.2 kV.

③ Rated 14.4 kV nominal, for use in SM-5 Holders rated 14.4 kV when applied in listed mountings rated 13.8 kV or in discontinued mountings rated 14.4 kV.

▲ Catalog numbers are in italics because these are 7.2-kV refill units. Interrupting ratings are those listed in S&C Descriptive Bulletin 252-30 for 7.2-kV SM-5S Power Fuses applied to systems rated 2.4/4.16 Y kV.

■ These S&C Coordinating Speed refill units should be applied where the maximum continuous load current does not exceed 400 amperes and where all fault currents below 3000 amperes for Catalog Numbers 381410R4 and 382410R4 and 4000 amperes for Catalog Numbers 381420R4 and 382420R4 will be cleared by another fuse.

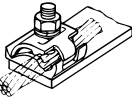

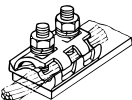
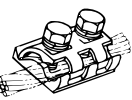
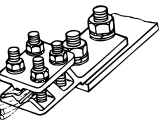
TABLE CONTINUED ►

SM-5® REFILL UNITS (For use in SM-5 Holders)

Rating, Amperes ↓	34.5 kV Nominal, 38 kV Max	
	Catalog Number	
Speed →	S&C Std. TCC 115-4	
1	134001R4	
2	134002R4	
Speed →	S&C Std. TCC 153-4	S&C Slow TCC 119-4
3E	134005R4	
5E	134007R4	
7E	134010R4	
10E	134015R4	
13E	134020R4	
15E	134025R4	264025R4
20E	134030R4	264030R4
25E	134040R4	264040R4
30E	134050R4	264050R4
40E	134060R4	264060R4
50E	134075R4	264075R4
65E	134100R4	264100R4
80E	134125R4	264125R4
100E	134150R4	264150R4
125E	134200R4	264200R4
150E	134250R4	264250R4
175E	134275R4	264275R4
200E	134300R4	264300R4
250E	134400R4	264400R4
300E	134500R4	264500R4



CONNECTORS

Illustration and Description	Accommodating Conductor	Applicable Power Fuse				Catalog Number
		Disconnect Styles		Non-Disconnect Styles		
		Upper Terminal Pad	Lower Terminal Pad	Upper Terminal Pad	Lower Terminal Pad	
 Bronze Body, Tin Plated, Single 1/2"–13×2 1/2" Galvanized Steel Bolt	No. 2 solid through 500 kc mil stranded copper or aluminum	SM-4Z SML-4Z SM-5S SM-20 SML-20	SML-4Z SM-20 SML-20	SM-4Z SM-5S SM-5SS	SM-4Z SM-5S SM-5SS	4749
 Bronze Body, Tin Plated, Single 1/2"–13×2 1/4" Galvanized Steel Bolt	No. 2 solid through 500 kc mil stranded copper or aluminum	—	SM-4Z SM-5S	—	—	5394
 Aluminum Alloy Body, Tin Plated, Two 1/2"–13×2 1/2" Galvanized Steel Bolts	No. 2 solid through 500 kc mil stranded copper or aluminum	SM-4Z SML-4Z SM-5S SML-20	SML-4Z SM-20 SML-20	SM-4Z SM-5S SM-5SS	SM-4Z SM-5S SM-5SS	4744
 Aluminum Alloy Body, Tin Plated, Two 1/2"–13×2 1/2" Galvanized Steel Bolts	No. 2 solid through 500 kc mil stranded copper or aluminum	—	SM-4Z SM-5S	—	—	4746
 Standard Bronze Pad Terminal, Tin Plated, Four-Bolt. Includes 1/2-inch galvanized steel hardware for attachment to terminal pads of fuses	No. 6 solid through 250 kc mil copper or aluminum	—	SM-4Z SM-5S	—	—	4564R1-A
	1/0 solid through 500 kc mil copper or aluminum	SM-4Z SML-4Z SM-5S SML-20	SML-4Z SM-20 SML-20	SM-4Z SM-5S SM-5SS	SM-4Z SM-5S SM-5SS	4564R1-B
		—	SM-4Z SM-5S	—	—	4565R1-A
	2/0 stranded through 800 kc mil copper or aluminum	SM-4Z SML-4Z SM-5S SML-20	SML-4Z SM-20 SML-20	SM-4Z SM-5S SM-5SS	SM-4Z SM-5S SM-5SS	4565R1-B
		—	SM-4Z SM-5S	—	—	4567R1-A
		SM-4Z SML-4Z SM-5S SML-20	SML-4Z SM-20 SML-20	SM-4Z SM-5S SM-5SS	SM-4Z SM-5S SM-5SS	4567R1-B

PARTS—For use with SM-4Z, SML-4Z, SM-5S, and SM-5SS Power Fuses

Item	For Holder		Catalog Number
	Rated (kV, Nominal)	Type	
Spare Spring-and-Cable Assembly	4.8 or 7.2	SM-4S or SM-4Z	FA-972
	4.8 or 7.2	SM-5S	FA-2341★
	13.8 or 14.4	SM-4S or SM-4Z	FA-973
	13.8	SML-4Z	FA-104561
	25.0	SML-4Z	FA-104562
	13.8 or 14.4	SM-5S	FA-2342★
	23 or 25	SM-4S or SM-4Z	FA-974
	23 or 25	SM-5S	FA-2343★
	34.5	SM-4S or SM-4Z	FA-975
	34.5	SM-5S	FA-2344★
Spare Silencer	All ratings	SM-4Z or SML-4Z	FA-104572
Spare Snuffler	All ratings	SM-4S	FA-104328◆
		SM-5S	FA-104370
		SM-5SS	FA-104343■

★ For use only in holders carrying an arrow-shaped nameplate. Spring-and-cable assemblies for holders which do not carry an arrow-shaped nameplate are no longer available—so a new holder with the appropriate voltage rating must be ordered.

◆ Product discontinued. To replace an SM-4S Snuffler (Catalog Number FA-104328), order one SM-4Z Silencer as listed, plus one fuse pivot, Catalog Number S-83670.

■ Not usable in disconnect style mounting.

PARTS—For use with SM-20 and SML-20 Power Fuses

Item	For Power Fuses		Catalog Number
	Rated (kV, Nominal)	Type	
Spare Silencer	All ratings	SM-20 or SML-20	FA-104675



INSULATING BARRIER ASSEMBLIES—For use with SM and SML Power Fuses

Item	For Power Fuses		Three-Phase Insulating-Barrier Assembly ^①	Replacement Barrier ^{②③}
	Rated (kV, Nominal)	Type	Catalog Number	Catalog Number
Insulating Barriers	4.8	SM-4Z	SA-41950-1	B-25770
		SM-5S	SA-41950-2	B-25771
	13.8	SM-4Z	SA-41951-1	B-25772
		SM-5S or SM-5SS	SA-41951-2	B-25773
		SM-20, SML-20, or SML-4Z	SA-41951-3	B-25774
	25	SM-4Z	SA-41952-1	B-25796
		SM-5S	SA-41952-2	B-25797
		SM-20, SML-20, or SML-4Z	SA-41952-3	B-25542-10
	34.5	SM-4Z	SA-41953-1	B-25542-6
		SM-5S	SA-41953-2	B-25542-9
		SM-20	SA-41953-3	B-25542-2

① Includes four 3/16-inch NEMA Grade GPO3 fiberglass-reinforced polyester barriers, plus a complete set of mounting hardware and adjustable-length interbarrier spacers.

② Replacement NEMA Grade GPO3 fiberglass-reinforced polyester barriers listed in this specification bulletin must only be installed with barriers of similar design and construction.

③ Includes one 3/16-inch NEMA Grade GPO3 fiberglass-reinforced polyester barrier; does not include mounting hardware or interbarrier spacers. For mounting hardware sufficient to mount one barrier, specify two (2) fastener assemblies, Catalog Number CA-600-1. For interbarrier spacers, refer to the nearest S&C Sales Office.

SWITCH BLADES^①

Item	Rating			Catalog Number
	kV		Amps., Cont.	
	Nom.	Max		
Switch Blades, for use in lieu of SML-4Z Holders in SML-4 Mountings	14.4	17.0	200	5442
	25	27	200	5443
Switch Blades, for use in lieu of SMU-20 Fuse Units in SML-20 Mountings	14.4	17.0	200	5432
	25	27	200	5433

① When switch blades are used in lieu of SML-4Z Holders or SMU-20 Fuse Units, the Uni-Rupter associated with these switches can carry and interrupt load currents up to and including the emergency peak-load capabilities of the fuses. Furthermore, the switches with Uni-Rupter have a one-time duty-cycle fault-closing capability equal to the interrupting ratings of the fuses (expressed in amperes RMS *asymmetrical*) and a two-time duty-cycle fault-closing capability of 13,000 amperes RMS *asymmetrical*. The duty-cycle fault-closing capability defines the level of available fault current into which the switch can be closed the specified number of times (once or twice), without quick-make mechanism and

when operated vigorously through its full travel without hesitation at any point, with the Uni-Rupter remaining operable and able to carry and interrupt currents up to the emergency peak-load capabilities of the fuse.

For 14.4-kV switches with Uni-Rupter, the one-second rating is 14,000 amperes RMS symmetrical. For 25-kV switches with Uni-Rupter, the one-second rating is 12,500 amperes RMS symmetrical.

The momentary ratings of the switches equal or exceed the interrupting ratings of the fuses.

RECOMMENDED HANDLING TOOLS

Item	For Power Fuse		Catalog Number
	Style	Type	
Grappler™	Disconnect 45° Opening	SM-20,▲ SM-4Z,▲ SML-20, SML-4Z	4423
Large Clamp	Disconnect 45° Opening	SM-5S■	4410R3
Locking Prong	Non-Disconnect	SM-4Z▲, SM-5S,■ SM-5SS	4404
Universal Pole	Refer to Specification Bulletin 851-31		

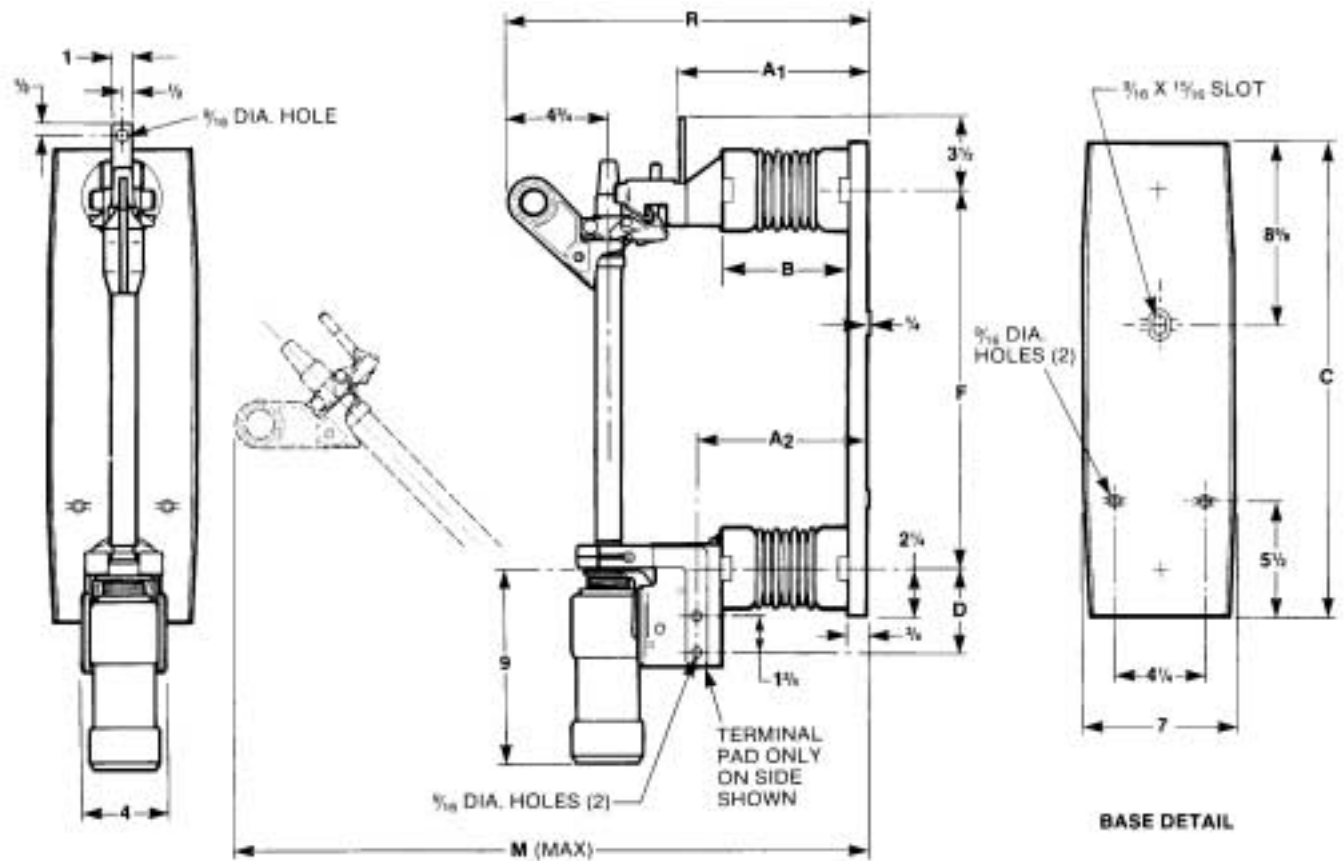
▲ Rated 25 kV and below. SMU-20 Fuse Units and SM-4Z Holders rated 34.5 kV can be removed by hand after properly grounding the upper and lower live parts of the mounting.

■ Rated 13.8 kV and below. SM-5S Holders rated 25 kV or 34.5 kV can be removed by hand after properly grounding the upper and lower live parts of the mounting.



SM-20
Disconnect, 45° Opening

200K or 200E Amps Max
13.8 kV, 25 kV, and 34.5 kV

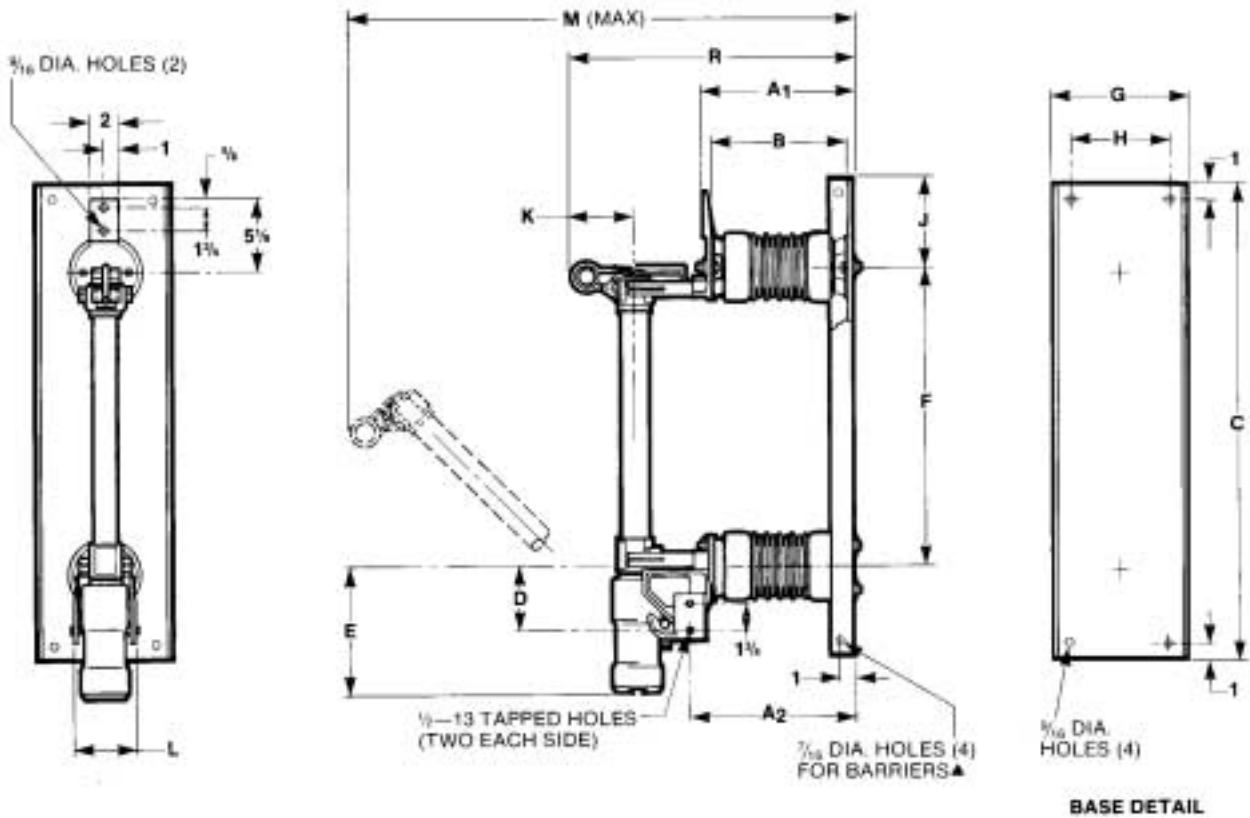


Rating			Amps, Max	Mounting ^① (including Live Parts, less Fuse-Unit End Fittings)		Fuse-Unit End Fittings ^②		Live Parts (less Fuse-Unit End Fittings)	Dimensions in Inches								Net Weight, Lbs.	
Nom.	Max	BIL		Type	Catalog Number	Type	Catalog Number		Catalog Number	A ₁	A ₂	B	C	D	F	M	R	Mtg.
13.8	17.0	95	200K or 200E	SM-20	90422	SM-20	3097	5040	9 1/8	8 1/8	6 1/4	22 3/8	4	18	31 1/2	17 1/4	23 1/2	12
25	27	125	200K or 200E	SM-20	90423	SM-20	3097	5040	10 3/8	9 3/8	7 1/2	26 3/4	3 1/4	22 1/4	34 1/2	18 1/2	27	12
34.5	38	150	200K or 200E	SM-20	90424	SM-20	3097	5044	12 7/8	11 7/8	10	32 3/4	3 1/4	28 1/4	42	21	30	12

① These mountings cannot be supplied for back connection.

② Includes Silencer.

SM-4Z and SM-5S
Disconnect, 45° Opening
200E, 300E, and 400E Amps Max
4.8 kV, 13.8 kV, and 25 kV



▲ These holes may be used for attachment of barriers only when the minimum recommended energized part-to-barrier clearance and minimum recommended barrier-to-ground clearance (in vicinity of energized parts), as listed in S&C Data Bulletin 252-62, have been met or exceeded.

Rating			Mounting ^① (including Live Parts, less Holder)	Holder ^②	Live Parts (less Holder)	Dimensions in Inches																Net Weight, Lbs.		
Nom.	Max	BIL				Amps, Max	Type	Catalog Number	Type	Catalog Number	Catalog Number	A ₁	A ₂	B	C	D	E	F	G	H	J	K	L	M
4.8	5.5	60	200E	SM-4	87360R2	SM-4Z	86631R2•	87369	5%	6%	5	28	4 1/8	8 7/8	12 1/2	7	4 1/4	7 3/4	4	3 3/8	25 1/2	13 3/4	29	12
13.8	17.0	95	200E	SM-4	87362R2	SM-4Z	86632R2◆	87369	8 1/8	9 1/4	7 1/2	32	4 1/8	8 7/8	16 1/2	7	4 1/4	7 3/4	4	3 3/8	30 3/8	16 1/4	34	13
25	27	150	200E	SM-4	87063R1	SM-4Z	86633R2	87369	14 5/8	15 3/4	14	32 3/4	4 1/8	8 7/8	20 3/4	7 1/2	5	6	4	3 3/8	41	22 7/8	53	13
4.8	5.5	60	400E	SM-5	87440R3	SM-5S	86641R2•	87449R2	5%	6%	5	28	6	11	12 1/2	7	4 1/4	7 3/4	5	4 7/8	29 1/4	15 1/4	35	28
13.8	17.0	95	400E	SM-5	87442R3	SM-5S	86642R2◆	87449R2	8 1/8	9 1/4	7 1/2	32	6	11	16 1/2	7	4 1/4	7 3/4	5	4 7/8	34 1/2	17 3/4	40	28 1/2
25	27	150	300E	SM-5	87073R1	SM-5S	86643R2	87449R2	14 5/8	15 3/4	14	32 3/4	6	11	20 3/4	7 1/2	5	6	5	4 7/8	44 1/8	24 1/4	59	32

① These mountings cannot be supplied for back connection.

② Includes Silencer (SM-4Z) or Snuffler (SM-5S).

• Rated 7.2 kV nominal, for use in listed 4.8-kV mountings for system voltages through 4.8 kV, or in discontinued 7.2-kV mountings for system voltages through 7.2 kV.

◆ Rated 14.4 kV nominal, for use in listed 13.8-kV mountings or in discontinued 14.4-kV mountings.

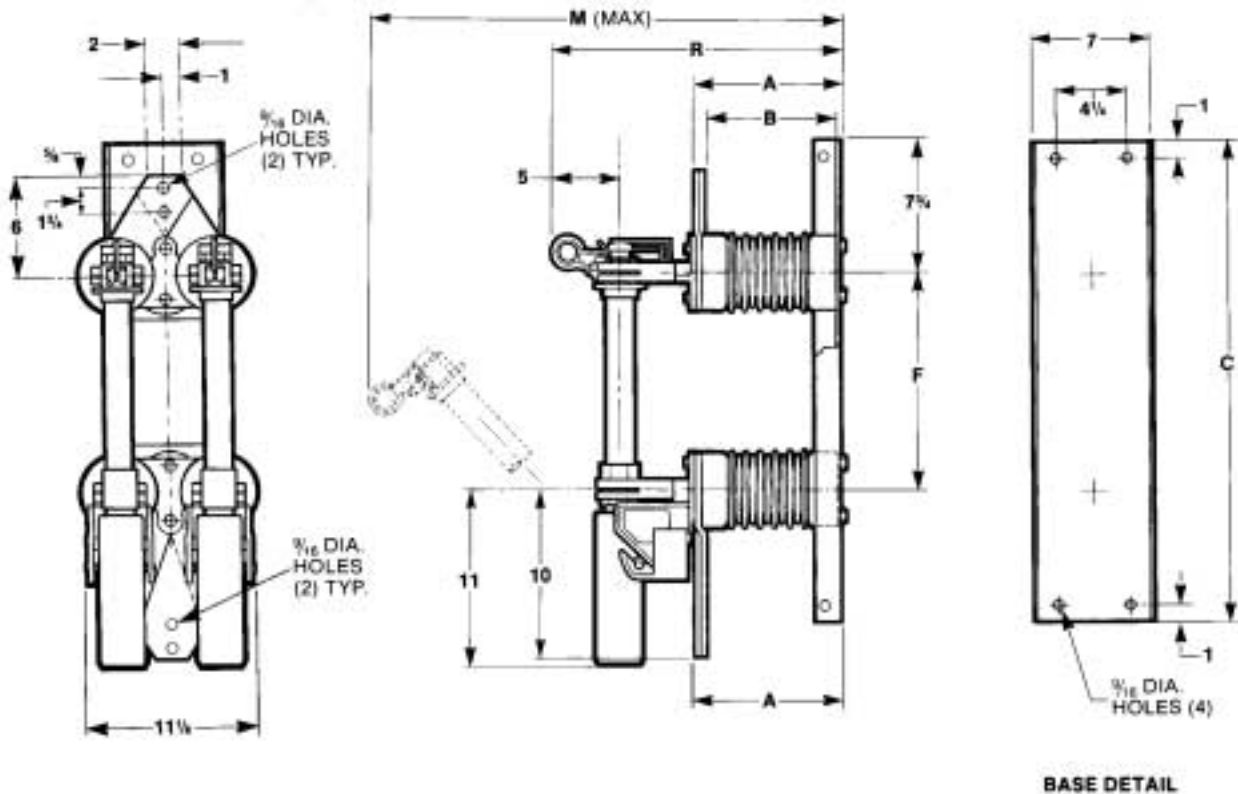


SM-5S

Disconnect, 45° Opening

720E Amps Max

4.8 kV and 13.8 kV



Rating				Mounting ^① (including Live Parts, less Holder)		Holder ^{②③}		Live Parts (less Holder)	Dimensions in Inches						Net Weight, Lbs.	
kV			Amps, Max						Type	Catalog Number	Type	Catalog Number	Catalog Number	A	B	C
4.8	5.5	60		720E	SM-5	87150R4	SM-5S	86641R2*	87159R3	5 3/4	5	28	12 1/2	29 3/8	15 1/2	64
13.8	17.0	95	720E	SM-5	87152R4	SM-5S	86642R2♦	87159R3	8 1/4	7 1/2	32	16 1/2	35 3/8	18	68	28 1/2

① These mountings cannot be supplied for back connection.

② Holders are rated 400E amperes maximum. Two holders required with each mounting.

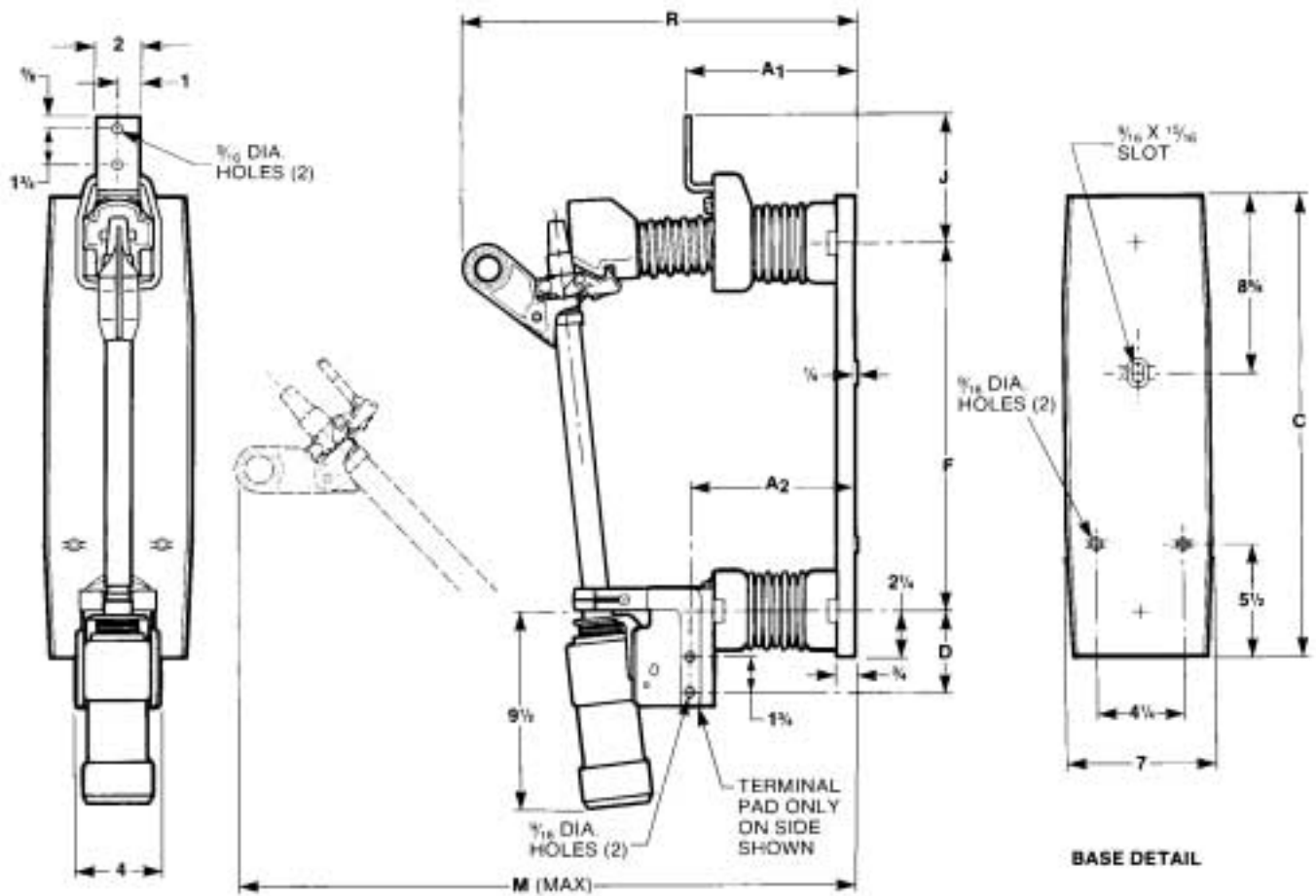
③ Includes Snuffler.

* Rated 7.2 kV nominal, for use in listed 4.8-kV mountings for system voltages through 4.8 kV, or in discontinued 7.2-kV mountings for system voltages through 7.2 kV.

♦ Rated 14.4 kV nominal, for use in listed 13.8-kV mountings or in discontinued 14.4-kV mountings.



SML-20
Disconnect, 45° Opening
200K or 200E Amps Max
13.8 kV and 25 kV



Rating			Mounting ^① (including Live Parts, less Fuse-Unit End Fittings)	Fuse-Unit End Fittings ^②		Dimensions in Inches										Net Weight, Lbs.	
kV		Amps, Max		Type	Catalog Number	Type	Catalog Number	A ₁	A ₂	C	D	F	J	M	R	Mtg.	Fuse-Unit End Fittings
Nom.	Max		BIL														
13.8	17.0	95	200K or 200E	SML-20	90412	SML-20	3097	8 3/8	8 1/8	22 3/8	4	18	6 1/4	31 1/2	19 1/2	24	12
25	27	125		SML-20	90413	SML-20	3097	9 1/2	9 3/8	26 3/4	3 1/4	22 1/4	7 1/4	34 3/4	20 3/8	28	12

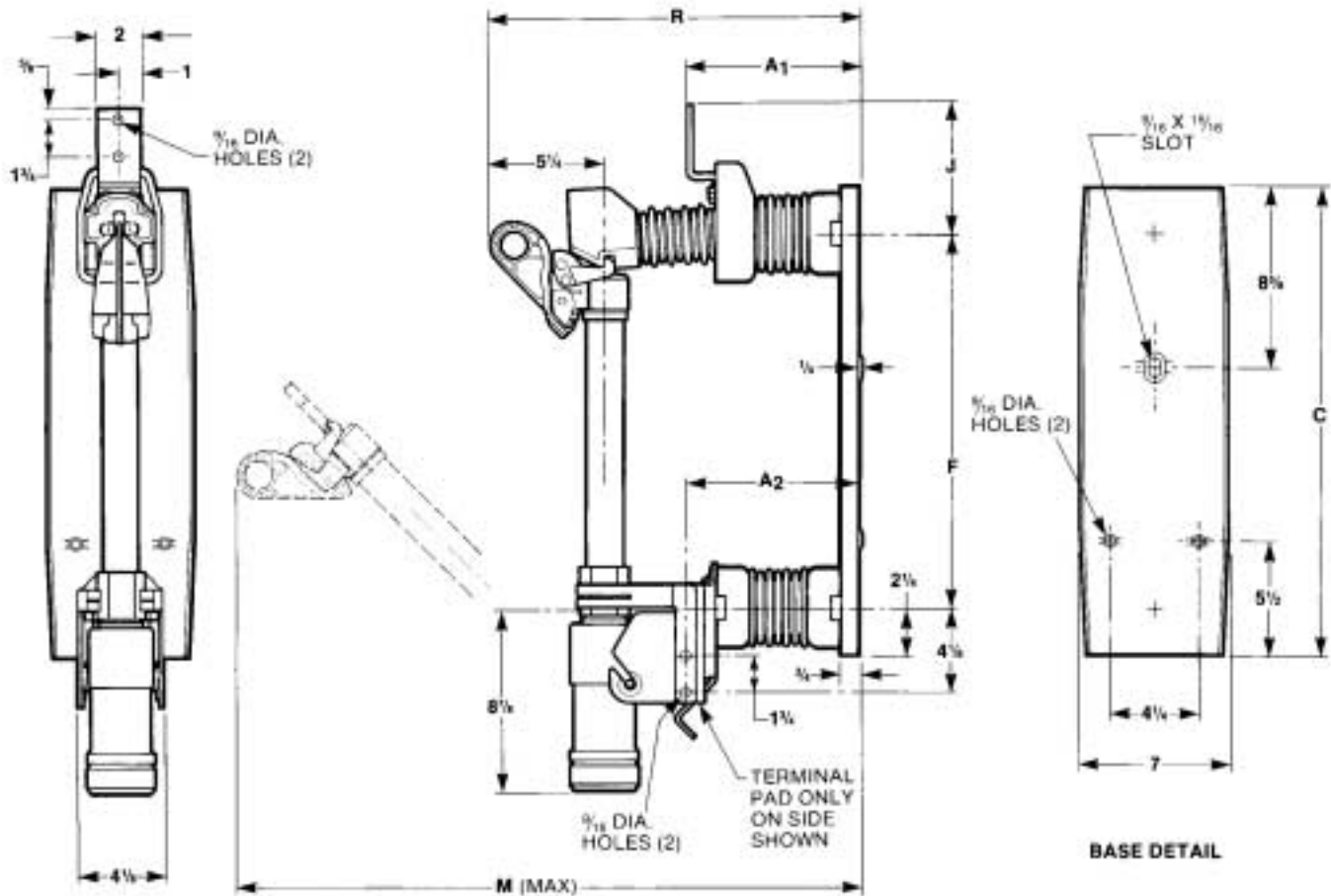
① These mountings cannot be supplied for back connection.

② Includes Silencer.



SML-4Z
Disconnect, 45° Opening

200E Amps Max
13.8 kV and 25 kV



Rating			Amps, Max	Mounting ^① (including Live Parts, less Holder)		Holder ^②		Dimensions in Inches							Net Weight, Lbs.	
Nom.	Max	BIL		Type	Catalog Number	Type	Catalog Number	A ₁	A ₂	C	F	J	M	R	Mtg.	Holder
13.8	17.0	95	200E	SML-4	90322	SML-4Z	92352◆	8 3/8	8 1/2	22 3/8	17 3/4	6 1/4	33	18	25	13
25	27	125	200E	SML-4	90323	SML-4Z	92353	9 1/2	9 3/4	26 1/4	22 1/4	7 1/4	36 3/4	19 1/8	29	13

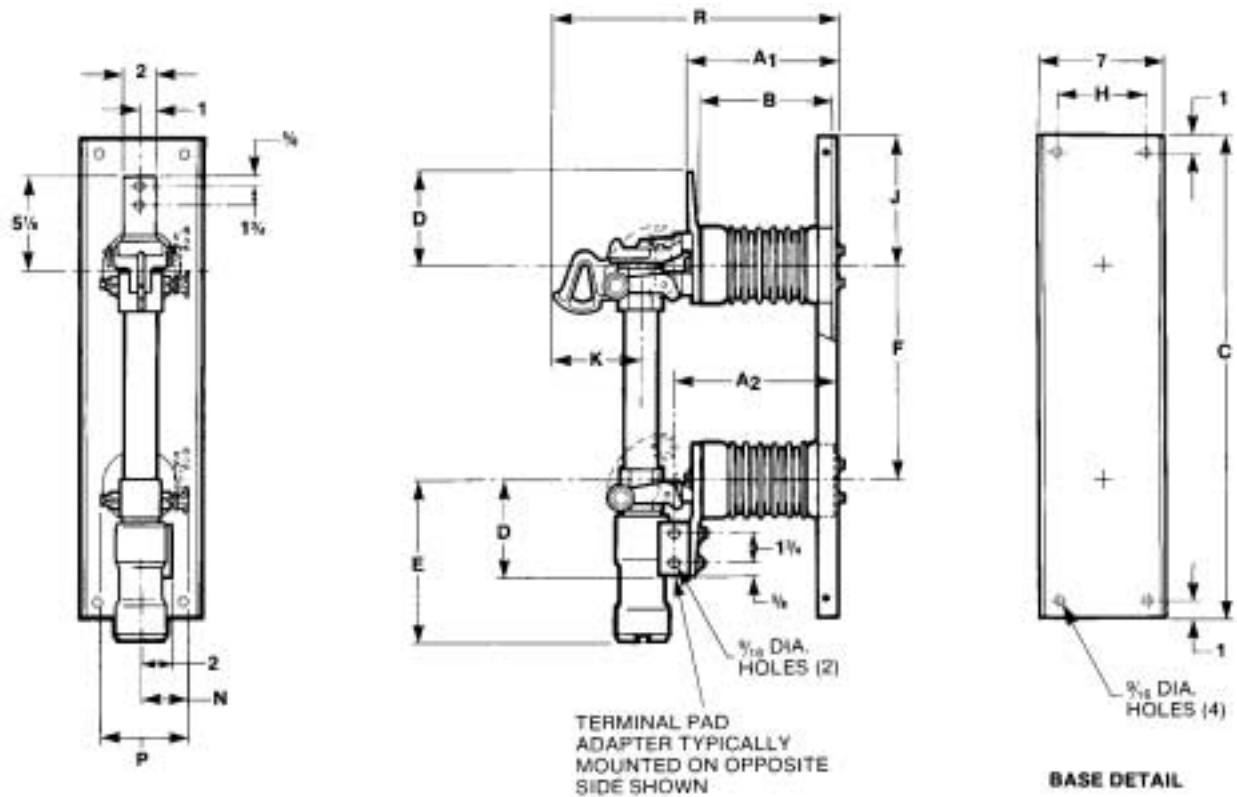
① These mountings cannot be supplied for back connection.

◆ Rated 14.4 kV nominal, for use in listed 13.8-kV mountings.

② Includes Silencer.

SM-4Z, SM-5S, and SM-5SS
Non-Disconnect

200E, 300E, and 400E Amps Max
4.8 kV, 13.8 kV, and 25 kV



Rating				Mounting ^① (including Live Parts, less Holder)		Holder ^②		Live Parts (less Holder)	Dimensions in Inches													Net Weight, Lbs.	
kV		BIL	Amps, Max						Type	Catalog Number	Type	Catalog Number	Catalog Number	A ₁	A ₂	B	C	D	E	F	H		
4.8	5.5			60	200E	SM-4	87200R2	SM-4Z						86801R2★	87109	5 ⁵ / ₈	6 ⁵ / ₈	5	28	5 ¹ / ₈	8 ³ / ₈	12 ¹ / ₂	4 ¹ / ₄
13.8	17.0	95	200E	SM-4	87202R2	SM-4Z	86802R2★	87109	8 ¹ / ₈	9 ¹ / ₈	7 ¹ / ₂	32	5 ¹ / ₈	8 ³ / ₈	16 ¹ / ₂	4 ¹ / ₄	7 ³ / ₄	4 ¹ / ₂	3 ¹ / ₈	5 ³ / ₈	15 ¹ / ₂	33 ¹ / ₂	12
25	27	150	200E	SM-4	87043R1	SM-4Z	86803R2	87109	14 ⁵ / ₈	15 ⁵ / ₈	14	32 ³ / ₄	5 ¹ / ₈	8 ³ / ₈	20 ³ / ₄	5	6	4 ¹ / ₂	3 ¹ / ₈	5 ³ / ₈	22	51	15
4.8	5.5	60	400E	SM-5	87600R3	SM-5S	86811R2★	87509R2	5 ⁵ / ₈	6 ⁵ / ₈	5	28	5 ¹ / ₄	12	12 ¹ / ₂	4 ¹ / ₄	7 ³ / ₄	5 ¹ / ₄	3 ⁵ / ₈	6 ¹ / ₂	15 ¹ / ₂	31	25
13.8	17.0	95	400E	SM-5	87602R3	SM-5S	86812R2★	87509R2	8 ³ / ₈	9 ³ / ₈	7 ¹ / ₂	32	5 ¹ / ₄	12	16 ¹ / ₂	4 ¹ / ₄	7 ³ / ₄	5 ¹ / ₄	3 ⁵ / ₈	6 ¹ / ₂	18	37	27
25	27	150	300E	SM-5	87053R1	SM-5S	86813R2	87509R2	14 ⁷ / ₈	15 ⁷ / ₈	14	32 ³ / ₄	5 ¹ / ₄	12	20 ³ / ₄	5	6	5 ¹ / ₄	3 ⁵ / ₈	6 ¹ / ₂	24 ⁵ / ₈	55	31
13.8	15.5	95	400E	SM-5	87602R3	SM-5SS	86402R2★	87509R2	8 ³ / ₈	9 ³ / ₈	7 ¹ / ₂	32	5 ¹ / ₄	12 ¹ / ₂	16 ¹ / ₂	4 ¹ / ₄	7 ³ / ₄	5 ¹ / ₄	3 ⁵ / ₈	6 ¹ / ₂	18	37	31

① These mountings cannot be supplied for back connection.

② Includes Silencer (SM-4Z), Snuffler (SM-5S), or Super Snuffler (SM-5SS).

- Rated 7.2 kV nominal, for use in listed 4.8-kV mountings for system

voltages through 4.8 kV, or in discontinued 7.2-kV mountings for system voltages through 7.2 kV.

★ Rated 14.4 kV nominal, for use in listed 13.8-kV mountings or in discontinued 14.4-kV mountings.

