

# ABB Single - Phase Capacitor Units

## List Price Sheet

Dated June 1, 1998

Externally Fused Units

High Voltage, 60 Hz

### Description:

ABB all-film capacitors provide high quality and reliable service for a wide range of capacitor applications including Shunt Capacitors, Harmonic Filtering, Series Compensation, SVC, HVDC, and more. Extensive dielectric R&D efforts have resulted in a design that significantly reduces partial discharge. ABB capacitors described herein, meet the applicable ANSI / IEEE Standard 18 and NEMA CP1. CSA or IEC standards can also be supplied. In addition, ABB's quality system is certified ISO 9001.

### Weights and Dimensions:

Bushing BIL	75 kV	95 kV	125/150 kV	175 kV	200 kV
Bushing Creep	8.00"	12.00"	18.00"	25.00"	28.00"
Dim. "B" (inches)	7.30"	9.30"	10.50"	11.30"	14.30"
Dim. "C" (inches)	13.00"	15.00"	16.25"	17.00"	20.00"



Case Size:		01	U2	A1	02	A2	03	A3	U4	04	A4	05	A5	06	A6	07	A7	B7	C7	08	A8	XB7	XC7
Weight (lbs)	1 Bushing	37	39	42	46	48	53	57	59	61	66	70	72	77	81	86	90	99	103	108	112	120	125
	2 Bushing	41	43	46	50	52	57	61	63	65	70	74	76	81	85	90	94	103	107	112	116	124	129
Dim. "A" (inches)		7.4	8.0	8.7	9.7	10.7	11.9	12.9	13.5	13.9	15.0	16.2	17.2	18.4	19.6	20.9	21.9	23.1	24.1	25.3	26.5	23.1	24.1
Dim. "D" (inches)		5.5	5.5	5.5	5.5	5.5	5.5	5.5	5.5	5.5	5.5	5.5	5.5	5.5	5.5	5.5	5.5	5.5	5.5	5.5	5.5	7.0	7.0

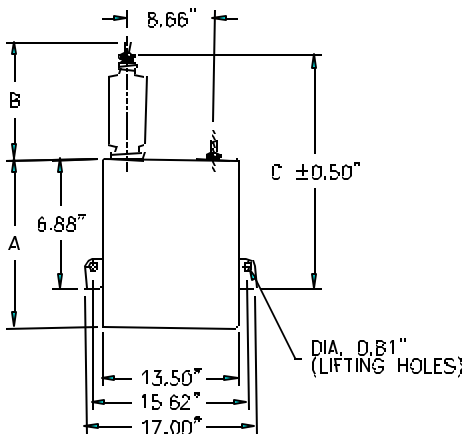


Figure 1: 1 bushing unit

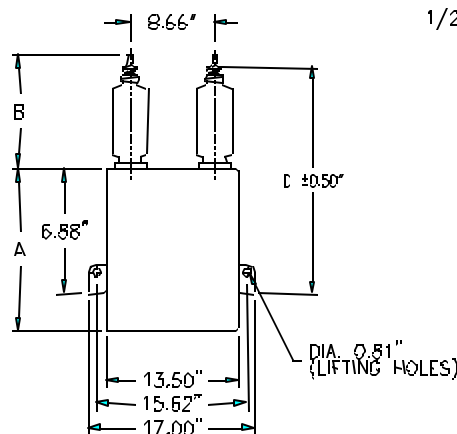


Figure 2: 2 bushing unit

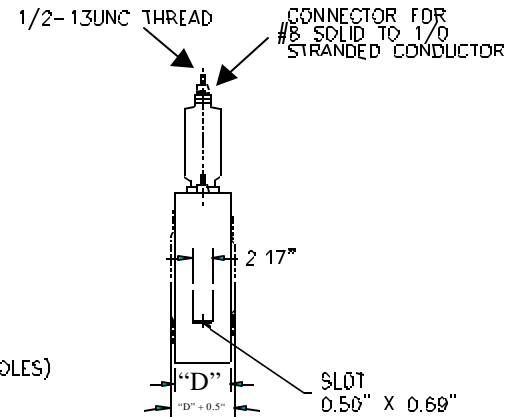


Figure 3: side view (both)

### Selection Information:

- kVAr rating
- Voltage rating
- Number of bushings (1 or 2)
- kV BIL rating
- Refer to selection tables for catalog number

For more information, contact your local ABB Power T&D sales representative or:

**ASEA BROWN BOVERI INC**  
 Capacitor Division  
 500 du Binome  
 Quebec, Qc, CANADA  
 G1P 4P1  
 Phone 418-650-9224  
 Fax 418-650-1883  
[www.abb.com/usa/t&d.htm](http://www.abb.com/usa/t&d.htm)

# ABB Single - Phase Capacitor Units

## List Price Sheet

Dated June 1, 1998

Externally Fused Units

High Voltage, 60 Hz

### Selection Table (Single Bushing): ANSI / IEEE Design

Unit Voltage	BIL kV	50 kVAR			100 kVAR			150 kVAR			200 kVAR			
		1 Bushing	List Price	CASE SIZE	1 Bushing	List Price	CASE SIZE	1 Bushing	List Price	CASE SIZE	1 Bushing	List Price	CASE SIZE	
2400	75	CAE0500240A0	\$515	01	CAE1000240A2	\$590	01	CAE1500240A2	\$670	02	CAE2000240A2	\$755	03	
2770		CAE0500277A0	\$515	01	CAE1000277A0	\$590	L2	CAE1500277A0	\$670	A2	CAE2000277A0	\$755	A3	
4160		CAE0500416A0	\$515	01	CAE1000416A0	\$590	01	CAE1500416A0	\$670	02	CAE2000416A0	\$755	03	
4800		CAE0500480A0	\$515	01	CAE1000480A2	\$590	01	CAE1500480A2	\$670	02	CAE2000480A2	\$755	03	
6640	95	CCE0500664A0	\$515	01	CCE1000664A0	\$590	01	CCE1500664A0	\$670	02	CCE2000664A0	\$755	03	
7200		CCE0500720A0	\$515	01	CCE1000720A0	\$590	01	CCE1500720A0	\$670	02	CCE2000720A0	\$755	03	
7620		CCE0500762A0	\$515	01	CCE1000762A0	\$590	01	CCE1500762A0	\$670	02	CCE2000762A0	\$755	03	
7960		CCE0500796A0	\$515	01	CCE1000796A0	\$590	01	CCE1500796A0	\$670	02	CCE2000796A0	\$755	03	
8320		CCE0500832A0	\$515	01	CCE1000832A0	\$590	01	CCE1500832A0	\$670	02	CCE2000832A0	\$755	03	
9540		CCE0500954A0	\$515	01	CCE1000954A0	\$590	01	CCE1500954A0	\$670	02	CCE2000954A0	\$755	03	
9960		CCE0500996A0	\$515	01	CCE1000996A0	\$590	01	CCE1500996A0	\$670	02	CCE2000996A0	\$755	03	
11400		CCE0501140A0	\$515	01	CCE1001140A0	\$590	01	CCE1501140A0	\$670	02	CCE2001140A0	\$755	03	
12000		CCE0501200A0	\$515	01	CCE1001200A0	\$590	01	CCE1501200A0	\$670	02	CCE2001200A0	\$755	03	
12470		CCE0501247A0	\$515	01	CCE1001247A0	\$590	01	CCE1501247A0	\$670	02	CCE2001247A0	\$755	03	
13280		CCE0501328A0	\$515	01	CCE1001328A0	\$590	01	CCE1501328A0	\$670	02	CCE2001328A0	\$755	03	
13800		CCE0501380A0	\$515	01	CCE1001380A0	\$590	01	CCE1501380A0	\$670	02	CCE2001380A0	\$755	03	
14400		CCE0501440A0	\$515	01	CCE1001440A0	\$590	01	CCE1501440A0	\$670	02	CCE2001440A0	\$755	03	
13280		150	CEE0501328A0	\$610	01	CEE1001328A0	\$630	L2	CEE1501328A0	\$720	A2	CEE2001328A0	\$800	A3
13800			CEE0501380A0	\$610	01	CEE1001380A0	\$630	L2	CEE1501380A0	\$720	A2	CEE2001380A0	\$800	A3
14400			CEE0501440A0	\$610	01	CEE1001440A0	\$630	L2	CEE1501440A0	\$720	A2	CEE2001440A0	\$800	A3
15125	CEE0501513A0		\$610	L2	CEE1001513A0	\$630	L2	CEE1501513A0	\$720	A2	CEE2001513A0	\$800	A3	
17200	CEE0501720A0		\$610	L2	CEE1001720A0	\$630	L2	CEE1501720A0	\$720	A2	CEE2001720A0	\$800	A3	
19920	CEE0501992A0		\$610	L2	CEE1001992A0	\$630	L2	CEE1501992A0	\$720	A2	CEE2001992A0	\$800	A3	
20800	CEE0502080A0		\$610	L2	CEE1002080A0	\$630	L2	CEE1502080A0	\$720	A2	CEE2002080A0	\$800	A3	
21600	CEE0502160A0		\$610	L2	CEE1002160A0	\$630	A1	CEE1502160A0	\$720	A2	CEE2002160A0	\$800	A3	
22800	CEE0502280A0		\$610	A1	CEE1002280A0	\$630	A1	CEE1502280A0	\$720	A2	CEE2002280A0	\$800	A3	
23800	CEE0502380A0		\$610	A1	CEE1002380A0	\$630	A1	CEE1502380A0	\$720	A2	CEE2002380A0	\$800	A3	
24940	CEE0502494A0		\$610	02	CEE1002494A0	\$630	A1	CEE1502494A0	\$720	A2	CEE2002494A0	\$800	A3	
20800	200		CIE0502080A0	\$645	L2	CIE1002080A0	\$665	L2	CIE1502080A0	\$755	A2	CIE2002080A0	\$835	A3
21600			CIE0502160A0	\$645	L2	CIE1002160A0	\$665	A1	CIE1502160A0	\$755	A2	CIE2002160A0	\$835	A3
22800			CIE0502280A0	\$645	A1	CIE1002280A0	\$665	A1	CIE1502280A0	\$755	A2	CIE2002280A0	\$835	A3
23800			CIE0502380A0	\$645	A1	CIE1002380A0	\$665	A1	CIE1502380A0	\$755	A2	CIE2002380A0	\$835	A3
24940			CIE0502494A0	\$645	02	CIE1002494A0	\$665	A1	CIE1502494A0	\$755	A2	CIE2002494A0	\$835	A3
Unit Voltage	BIL kV	300 kVAR			400 kVAR			500 kVAR			600 kVAR			
2400	75	---	---	---	---	---	---	---	---	---	---	---		
2770		---	---	---	---	---	---	---	---	---	---	---		
4160		---	---	---	---	---	---	---	---	---	---	---		
4800		CCE3000480A2	\$915	05	---	---	---	---	---	---	---	---		
6640	95	CCE3000664A0	\$915	05	CCE4000664A0	\$1,120	07	---	---	---	---	---		
7200		CCE3000720A0	\$915	05	CCE4000720A0	\$1,120	07	CCE5000720A0	\$1,280	08	---	---		
7620		CCE3000762A0	\$915	05	CCE4000762A0	\$1,120	07	CCE5000762A0	\$1,280	08	---	---		
7960		CCE3000796A0	\$915	05	CCE4000796A0	\$1,120	07	CCE5000796A0	\$1,280	08	---	---		
8320		CCE3000832A0	\$915	05	CCE4000832A0	\$1,120	07	CCE5000832A0	\$1,280	08	---	---		
9540		CCE3000954A0	\$915	05	CCE4000954A0	\$1,120	07	CCE5000954A0	\$1,280	08	CCE6000954A0	\$1,430	XB7	
9960		CCE3000996A0	\$915	05	CCE4000996A0	\$1,120	07	CCE5000996A0	\$1,280	08	CCE6000996A0	\$1,430	XB7	
11400		CCE3001140A0	\$915	05	CCE4001140A0	\$1,120	07	CCE5001140A0	\$1,280	08	CCE6001140A0	\$1,430	XB7	
12000		CCE3001200A0	\$915	A5	CCE4001200A0	\$1,120	07	CCE5001200A0	\$1,280	08	CCE6001200A0	\$1,430	XB7	
12470		CCE3001247A0	\$915	A5	CCE4001247A0	\$1,120	07	CCE5001247A0	\$1,280	08	CCE6001247A0	\$1,430	XB7	
13280		CCE3001328A0	\$915	05	CCE4001328A0	\$1,120	07	CCE5001328A0	\$1,280	08	CCE6001328A0	\$1,430	XB7	
13800		CCE3001380A0	\$915	A5	CCE4001380A0	\$1,120	07	CCE5001380A0	\$1,280	08	CCE6001380A0	\$1,430	XB7	
14400		CCE3001440A0	\$915	05	CCE4001440A0	\$1,120	07	CCE5001440A0	\$1,280	08	CCE6001440A0	\$1,430	XB7	
13280		150	CEE3001328A0	\$975	A5	CEE4001328A0	\$1,175	A7	CEE5001328A0	\$1,335	A8	CEE6001328A0	\$1,480	XC7
13800			CEE3001380A0	\$975	A5	CEE4001380A0	\$1,175	A7	CEE5001380A0	\$1,335	A8	CEE6001380A0	\$1,480	XC7
14400			CEE3001440A0	\$975	A5	CEE4001440A0	\$1,175	A7	CEE5001440A0	\$1,335	A8	CEE6001440A0	\$1,480	XC7
15125	CEE3001513A0		\$975	A5	CEE4001513A0	\$1,175	A7	CEE5001513A0	\$1,335	A8	CEE6001513A0	\$1,480	XC7	
17200	CEE3001720A0		\$975	A5	CEE4001720A0	\$1,175	A7	CEE5001720A0	\$1,335	A8	CEE6001720A0	\$1,480	XC7	
19920	CEE3001992A0		\$975	A5	CEE4001992A0	\$1,175	A7	CEE5001992A0	\$1,335	A8	CEE6001992A0	\$1,480	XC7	
20800	CEE3002080A0		\$975	A5	CEE4002080A0	\$1,175	A7	CEE5002080A0	\$1,335	A8	CEE6002080A0	\$1,480	XC7	
21600	CEE3002160A0		\$975	A5	CEE4002160A0	\$1,175	A7	CEE5002160A0	\$1,335	A8	CEE6002160A0	\$1,480	XC7	
22800	CEE3002280A0		\$975	A5	CEE4002280A0	\$1,175	A7	CEE5002280A0	\$1,335	A8	CEE6002280A0	\$1,480	XC7	
23800	CEE3002380A0		\$975	A5	CEE4002380A0	\$1,175	A7	CEE5002380A0	\$1,335	A8	CEE6002380A0	\$1,480	XC7	
24940	CEE3002494A0		\$975	A5	CEE4002494A0	\$1,175	A7	CEE5002494A0	\$1,335	A8	CEE6002494A0	\$1,480	XC7	
20800	200		CIE3002080A0	\$1,010	A5	CIE4002080A0	\$1,210	A7	CIE5002080A0	\$1,370	A8	CIE6002080A0	\$1,515	XC7
21600			CIE3002160A0	\$1,010	A5	CIE4002160A0	\$1,210	A7	CIE5002160A0	\$1,370	A8	CIE6002160A0	\$1,515	XC7
22800			CIE3002280A0	\$1,010	A5	CIE4002280A0	\$1,210	A7	CIE5002280A0	\$1,370	A8	CIE6002280A0	\$1,515	XC7
23800			CIE3002380A0	\$1,010	A5	CIE4002380A0	\$1,210	A7	CIE5002380A0	\$1,370	A8	CIE6002380A0	\$1,515	XC7
24940			CIE3002494A0	\$1,010	A5	CIE4002494A0	\$1,210	A7	CIE5002494A0	\$1,370	A8	CIE6002494A0	\$1,515	XC7

- Select CASE SIZE above and refer to page 1 for weights and dimensions
- Contact ABB for special requirements not shown
- Discounts apply to list prices above

# ABB Single - Phase Capacitor Units

## List Price Sheet

Dated June 1, 1998

Externally Fused Units

High Voltage, 60 Hz

### Selection Table ( 2 Bushings): ANSI / IEEE Design

Unit Voltage	BIL KV	50 kVar			100 kVar			150 kVar			200 kVar		
		Catalog Number	List Price	CASE SIZE	Catalog Number	List Price	CASE SIZE	Catalog Number	List Price	CASE SIZE	Catalog Number	List Price	CASE SIZE
2400		2 Bushing			2 Bushing			2 Bushing			2 Bushing		
2770	75	CBE0500277A0	\$550	01	CBE1000277A0	\$625	01	CBE1500277A0	\$705	02	CBE2000277A0	\$790	03
4160		CBE0500416A0	\$550	01	CBE1000416A0	\$625	01	CBE1500416A0	\$705	02	CBE2000416A0	\$790	03
4800		CBE0500480A0	\$550	01	CBE1000480A2	\$625	01	CBE1500480A2	\$705	02	CBE2000480A2	\$790	03
6640		CDE0500664A0	\$550	01	CDE1000664A0	\$625	01	CDE1500664A0	\$705	02	CDE2000664A0	\$790	03
7200		CDE0500720A0	\$550	01	CDE1000720A0	\$625	01	CDE1500720A0	\$705	02	CDE2000720A0	\$790	03
7620		CDE0500762A0	\$550	01	CDE1000762A0	\$625	01	CDE1500762A0	\$705	02	CDE2000762A0	\$790	03
7960		CDE0500796A0	\$550	01	CDE1000796A0	\$625	01	CDE1500796A0	\$705	02	CDE2000796A0	\$790	03
8320		CDE0500832A0	\$550	01	CDE1000832A0	\$625	01	CDE1500832A0	\$705	02	CDE2000832A0	\$790	03
9540		CDE0500954A0	\$550	01	CDE1000954A0	\$625	01	CDE1500954A0	\$705	02	CDE2000954A0	\$790	03
9960	95	CDE0500996A0	\$550	01	CDE1000996A0	\$625	01	CDE1500996A0	\$705	02	CDE2000996A0	\$790	03
11400		CDE0501140A0	\$550	01	CDE1001140A0	\$625	01	CDE1501140A0	\$705	02	CDE2001140A0	\$790	03
12000		CDE0501200A0	\$550	01	CDE1001200A0	\$625	01	CDE1501200A0	\$705	02	CDE2001200A0	\$790	03
12470		CDE0501247A0	\$550	01	CDE1001247A0	\$625	01	CDE1501247A0	\$705	02	CDE2001247A0	\$790	03
13280		CDE0501328A0	\$550	01	CDE1001328A0	\$625	01	CDE1501328A0	\$705	02	CDE2001328A0	\$790	03
13800		CDE0501380A0	\$550	01	CDE1001380A0	\$625	01	CDE1501380A0	\$705	02	CDE2001380A0	\$790	03
14400		CDE0501440A0	\$550	01	CDE1001440A0	\$625	01	CDE1501440A0	\$705	02	CDE2001440A0	\$790	03
13280		CFE0501328A0	\$650	01	CFE1001328A0	\$670	L2	CFE1501328A0	\$760	A2	CFE2001328A0	\$840	A3
13800		CFE0501380A0	\$650	01	CFE1001380A0	\$670	L2	CFE1501380A0	\$760	A2	CFE2001380A0	\$840	A3
14400	125	CFE0501440A0	\$650	01	CFE1001440A0	\$670	L2	CFE1501440A0	\$760	A2	CFE2001440A0	\$840	A3
15125		CFE0501513A0	\$650	L2	CFE1001513A0	\$670	L2	CFE1501513A0	\$760	A2	CFE2001513A0	\$840	A3
17200		CFE0501720A0	\$650	L2	CFE1001720A0	\$670	L2	CFE1501720A0	\$760	A2	CFE2001720A0	\$840	A3
19920		CFE0501992A0	\$650	L2	CFE1001992A0	\$670	L2	CFE1501992A0	\$760	A2	CFE2001992A0	\$840	A3
20800		---	---	---	---	---	---	---	---	---	---	---	---
21600		---	---	---	---	---	---	---	---	---	---	---	---
22800	150	---	---	---	---	---	---	---	---	---	---	---	---
23800		---	---	---	---	---	---	---	---	---	---	---	---
24940		---	---	---	---	---	---	---	---	---	---	---	---
20800		---	---	---	---	---	---	---	---	---	---	---	---
21600		---	---	---	---	---	---	---	---	---	---	---	---
22800	200	---	---	---	---	---	---	---	---	---	---	---	---
23800		---	---	---	---	---	---	---	---	---	---	---	---
24940		---	---	---	---	---	---	---	---	---	---	---	---
Unit Voltage	BIL KV	300 kVar			400 kVar			500 kVar			600 kVar		
2400		2 Bushing			2 Bushing			2 Bushing			2 Bushing		
2770	75	---	---	---	---	---	---	---	---	---	---	---	---
4160		---	---	---	---	---	---	---	---	---	---	---	---
4800		CBE3000480A2	\$950	05	---	---	---	---	---	---	---	---	---
6640		CDE3000664A0	\$950	05	CDE4000664A0	\$1,155	07	---	---	---	---	---	---
7200		CDE3000720A0	\$950	05	CDE4000720A0	\$1,155	07	CDE5000720A0	\$1,315	08	---	---	---
7620		CDE3000762A0	\$950	05	CDE4000762A0	\$1,155	07	CDE5000762A0	\$1,315	08	---	---	---
7960		CDE3000796A0	\$950	05	CDE4000796A0	\$1,155	07	CDE5000796A0	\$1,315	08	---	---	---
8320		CDE3000832A0	\$950	05	CDE4000832A0	\$1,155	07	CDE5000832A0	\$1,315	08	---	---	---
9540		CDE3000954A0	\$950	05	CDE4000954A0	\$1,155	07	CDE5000954A0	\$1,315	08	CDE6000954A0	\$1,455	XB7
9960	95	CDE3000996A0	\$950	05	CDE4000996A0	\$1,155	07	CDE5000996A0	\$1,315	08	CDE6000996A0	\$1,455	XB7
11400		CDE3001140A0	\$950	05	CDE4001140A0	\$1,155	07	CDE5001140A0	\$1,315	08	CDE6001140A0	\$1,455	XB7
12000		CDE3001200A0	\$950	A5	CDE4001200A0	\$1,155	07	CDE5001200A0	\$1,315	08	CDE6001200A0	\$1,455	XB7
12470		CDE3001247A0	\$950	A5	CDE4001247A0	\$1,155	07	CDE5001247A0	\$1,315	A8	CDE6001247A0	\$1,455	XB7
13280		CDE3001328A0	\$950	05	CDE4001328A0	\$1,155	07	CDE5001328A0	\$1,315	08	CDE6001328A0	\$1,455	XB7
13800		CDE3001380A0	\$950	A5	CDE4001380A0	\$1,155	07	CDE5001380A0	\$1,315	08	CDE6001380A0	\$1,455	XB7
14400		CDE3001440A0	\$950	05	CDE4001440A0	\$1,155	07	CDE5001440A0	\$1,315	A8	CDE6001440A0	\$1,455	XB7
13280		CFE3001328A0	\$1,015	A5	CFE4001328A0	\$1,215	A7	CFE5001328A0	\$1,365	A8	CFE6001328A0	\$1,510	XC7
13800		CFE3001380A0	\$1,015	A5	CFE4001380A0	\$1,215	A7	CFE5001380A0	\$1,365	A8	CFE6001380A0	\$1,510	XC7
14400	125	CFE3001440A0	\$1,015	A5	CFE4001440A0	\$1,215	A7	CFE5001440A0	\$1,365	A8	CFE6001440A0	\$1,510	XC7
15125		CFE3001513A0	\$1,015	A5	CFE4001513A0	\$1,215	A7	CFE5001513A0	\$1,365	A8	CFE6001513A0	\$1,510	XC7
17200		CFE3001720A0	\$1,015	A5	CFE4001720A0	\$1,215	A7	CFE5001720A0	\$1,365	A8	CFE6001720A0	\$1,510	XC7
19920		CFE3001992A0	\$1,015	A5	CFE4001992A0	\$1,215	A7	CFE5001992A0	\$1,365	A8	CFE6001992A0	\$1,510	XC7
19920		---	---	---	---	---	---	---	---	---	---	---	---
20800		---	---	---	---	---	---	---	---	---	---	---	---
21600	150	---	---	---	---	---	---	---	---	---	---	---	---
22800		---	---	---	---	---	---	---	---	---	---	---	---
23800		---	---	---	---	---	---	---	---	---	---	---	---
24940		---	---	---	---	---	---	---	---	---	---	---	---
20800		---	---	---	---	---	---	---	---	---	---	---	---
21600		---	---	---	---	---	---	---	---	---	---	---	---
22800	200	---	---	---	---	---	---	---	---	---	---	---	---
23800		---	---	---	---	---	---	---	---	---	---	---	---
24940		---	---	---	---	---	---	---	---	---	---	---	---

- Select CASE SIZE above and refer to page 1 for weights and dimensions
- Contact ABB for special requirements not shown
- Discounts apply to list prices above

# ABB Single - Phase Capacitor Units

## List Price Sheet

Dated June 1, 1998

Externally Fused Units

High Voltage, 60 Hz

### Standard Specifications:

#### Ratings:

Externally fused units:	50 to 600 kVAr 2.4 to 24.94 kV
Internally fused units:	200 to 1000 kVAr 2.4 to 12.47 kV
Fuseless units:	100 to 1000 kVAr 2.4 to 19.92 kV
Frequency:	60 or 50 Hz
Dielectric:	Polypropylene film
Impregnation fluid:	Faradol dielectric fluid
Discharge resistors:	Discharge to 50 volts within 5 minutes

#### Quality Assurance:

Standards:	Capacitor units comply with NEMA CP1, ANSI/IEEE 18, IEC 871 or CSA C155. Other standards can be used upon request.
Production tests:	Leak test Capacitance measurement AC high voltage test (T-C) Overvoltage test (T-T) Losses measurement Discharge resistor test 6.25 DC test designs available
Design tests:	Type test reports on similar units can be supplied for all the above standards.
Quality system:	ISO 9001 certified

#### Permissible Overloads:

Maximum current (rms):	180% of rating
Maximum voltage (rms):	110% of rating
Maximum kVAr output:	135% of rating

#### Construction features:

Case material:	Stainless Steel 409 50-60 mil thickness Titanium stabilized
Paint process:	Epoxy, Oven Cured
Paint color:	ANSI 70 Gray
Nameplate:	Anodized Aluminum
Bushings:	Wet-process glazed porcelain
Sealing system:	Bushing welded to case
Porcelain color:	Light Gray
Connectors:	Clamp type parallel groove connectors for one or two conductors, AWG #8 to 1/O, CU/AL with 1/2-13 stud. For high ampacity units, M16 studs, suitable for # 4 to # 2/O stranded conductors are available.

#### Operating Conditions:

Temperature range:	-40°C to +46° C (refer to company for -50°C or +50°C)
Maximum altitude:	6000 feet (without derating)
Location:	Indoors or Outdoors

### The ABB Advantages:

- *Superior dielectric performance*
- *Exceeding ANSI/IEEE Standards with TOV testing at -40° C*
- *Flat soldered internal connections ensure low partial discharge generation*
- *ISO 9001 Certified Quality System*

ABB ENGINEERS CUSTOMER SUCCESS

**Power Capacitors**

\*All data is subject to change without notice

LUPRICE01 Dated 5/15/98

