

CL-14 SERIES E-RATED / MEDIUM VOLTAGE FUSES



HIGHLIGHTS:

- E-Rated
- UL Listed 5.5kV
- Complies with ANSI C37.46



DEFINITIONS:

E-rating

E-rated fuses operate as follows:
 100E or less - must melt in 300 seconds (5 mins.) at 200 to 240% of E (ampere) rating.
 Over 100E - must melt in 600 seconds (10 mins.) at 220 to 264% of E (ampere) rating.
 Example - A 100E fuse must melt in 300 seconds with an applied current of 200 to 240 amperes.

General Purpose Current-Limiting Fuse

A general purpose current-limiting power fuse is one that is capable of interrupting all currents from its rated interrupting rating down to the current that causes melting of the fusible element in one hour.

APPLICATIONS:

- Protection for 5.5kV or 15.5kV transformers or distribution systems

5kV AND 15kV CLIP-LOCK MOUNTED FUSES

Amp-trap CL-14 E-rated 5kV and 15kV fuses have 3" diameter barrels and mount in unique cam-locking clips, for superior connections as well as easy installation and replacement. They are UL listed as "general purpose current-limiting fuses" and are for use indoors (or outdoors in a weatherproof enclosure). The unique time-current characteristic of Ferraz Shawmut E-rated fuses allows them to be closely sized to transformer full load rated current, as recommended by IEEE guidelines, without being affected by normal magnetizing inrush current. CL-14 fuses are typically sized at transformer rated current of 133%, thereby providing superior overall protection.

E

Features/Benefits

- **UL Listed** for compatibility with UL listed equipment
- **Clip-Lock mounting** for reliable high integrity connection into circuit
- **Current limiting** for superior equipment protection
- **Blown-fuse indicator** gives positive identification of open fuse
- **Non-venting** for silent operation
- **Metal Embossed Catalog Number** and manufacturing date for lasting identification

Ratings

- **A055C**
AC: 10E to 600E
 5.5kV, 63kA I.R. Sym.
- **A155C**
AC: 10E TO 300E
 15.5kV, 50kA I.R. Sym

Approvals

- UL Listed to JEEG, "Fuses Over 600 Volts"

Clip-Lock Clips for CL-14 Fuses:

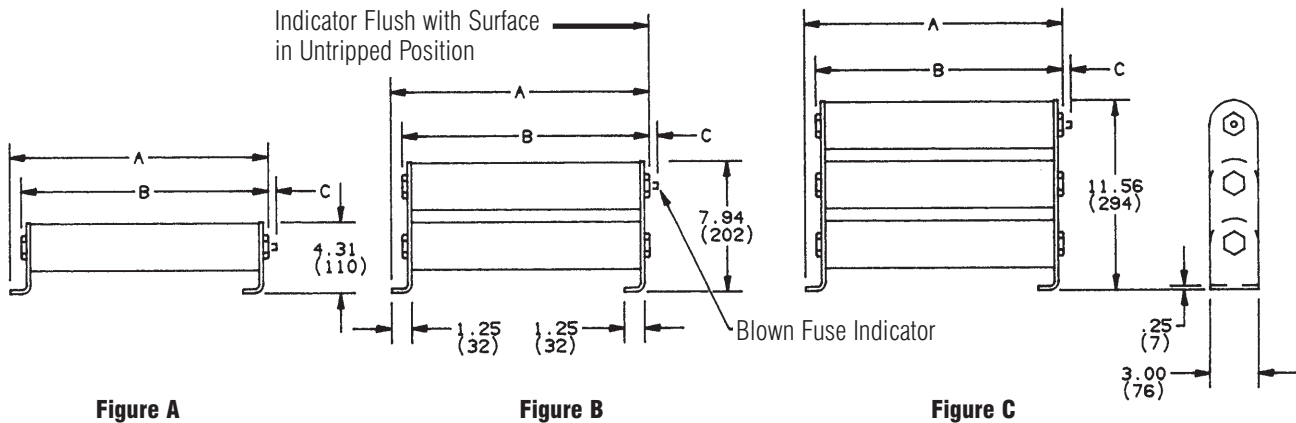
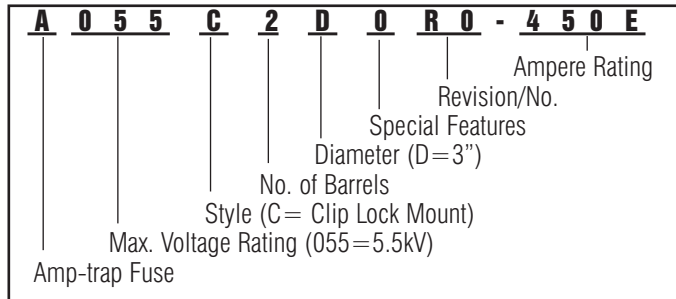
228-700-520 (One pair of clips)

CL-14

E-RATED / MEDIUM VOLTAGE FUSES / A055C

5.5kV Clip-Lock Mounted

Catalog Numbering System



Catalog Numbers, Ratings, Dimensions, CL-14 Series, 5.5kV

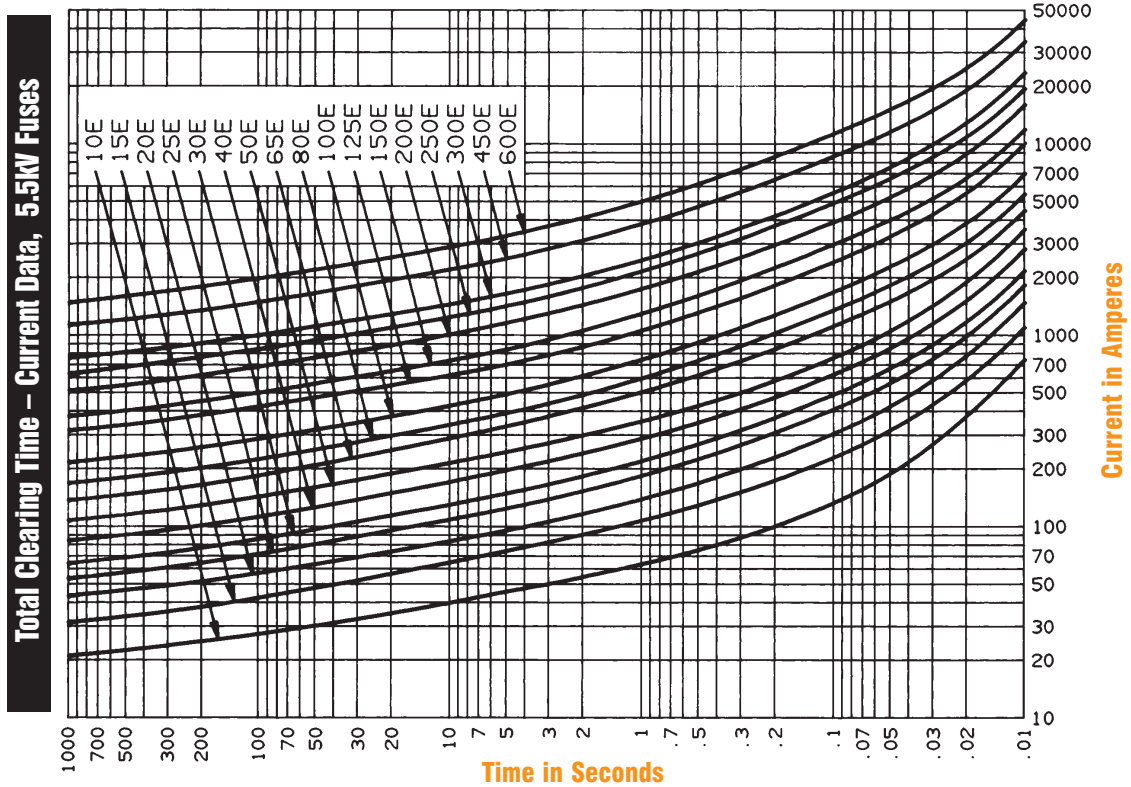
NEW CATALOG NUMBER	OLD CATALOG NUMBER	AMPERE RATING	NUMBER OF BARRELS	FIG.	DIMENSIONS Inches (mm)			INTERRUPTING RATING RMS SYM.* AMPERES
					A	B	C	
5.5kV Max. – Clip-Lock Style – 15.25" (387mm) Clip Centers – 3" (76.2mm) Barrel Diameter								
A055C1DORO-10E	225-007-937	10E	1	A	16.81 (427)	16.12 (410)	0.5 (13) Tripped Force 2 lbs.	63,000
15E	938	15E						
20E	939	20E						
25E	940	25E						
30E	941	30E						
40E	942	40E						
50E	943	50E						
65E	944	65E						
80E	945	80E						
100E	946	100E						
125E	947	125E						
150E	948	150E						
5.5kV Max. – Clip Lock Style – 21.25" (540mm) Clip Centers – 3" (76.2mm) Barrel Diameter								
A055C1DORO-200E	225-007-949	200E	1	A	22.81 (580)	22.12 (562)	0.5 (13) Tripped Force 2 lbs.	63,000
250E	950	250E						
300E	951	300E						
400E	952	400E						
A055C2DORO-450E	953	450E	2	B				
500E	954	500E						
600E	955	600E						

* RMS ASYM. AMPERES = RMS SYM. AMPERES x 1.6

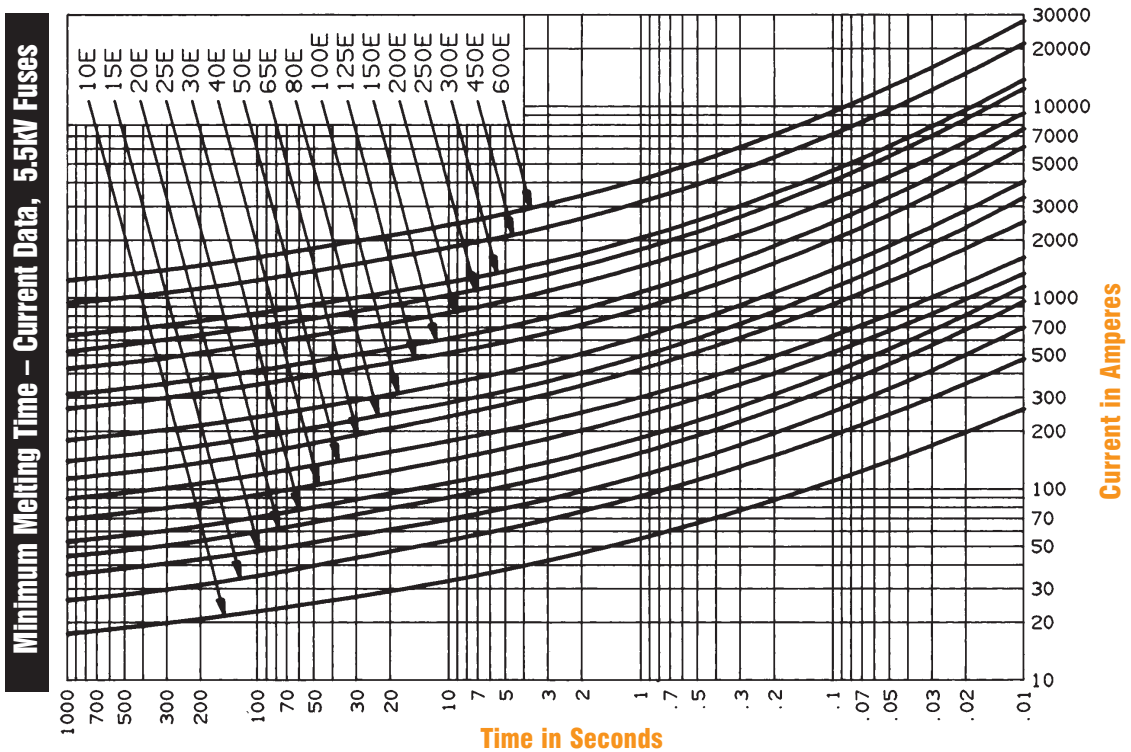
CL-14

E-RATED / MEDIUM VOLTAGE FUSES / A055C

A055C1DORO – 10E to 400E and A055C2DORO – 450E to 600E



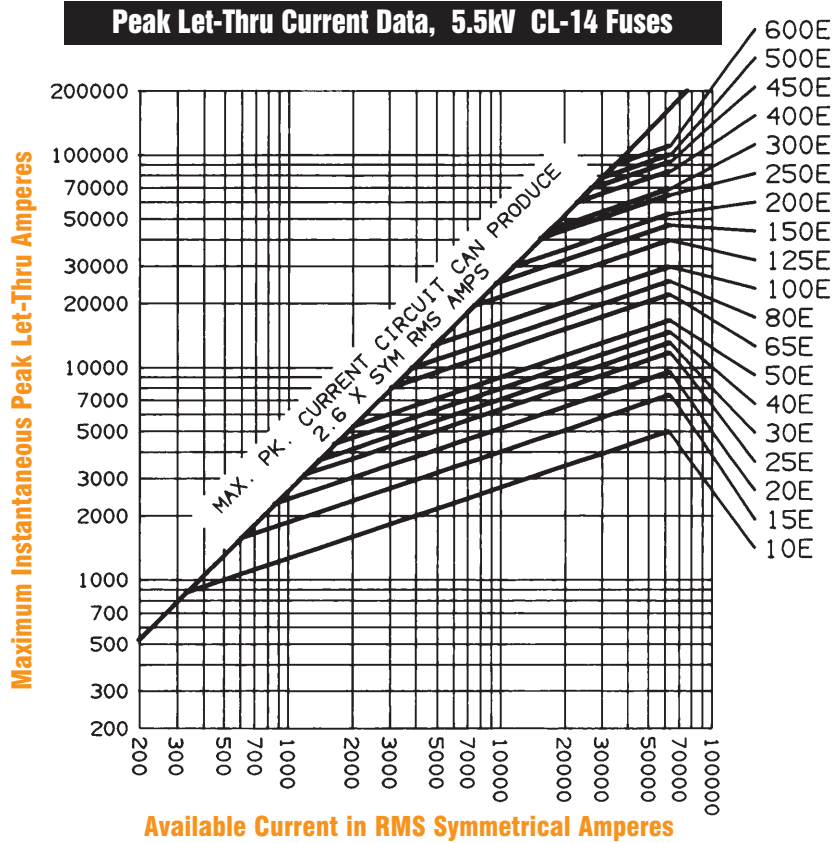
A055C1DORO – 10E to 400E and A055C2DORO – 450E to 600E



CL-14

E-RATED / MEDIUM VOLTAGE FUSES / A055C

A055C1D0R0 – 10E to 400E and A055C2D0R0 – 450E to 600E



CL-14

E-RATED / MEDIUM VOLTAGE FUSES / A155C

15.5kV Clip-Lock Mounted

Catalog Numbering System

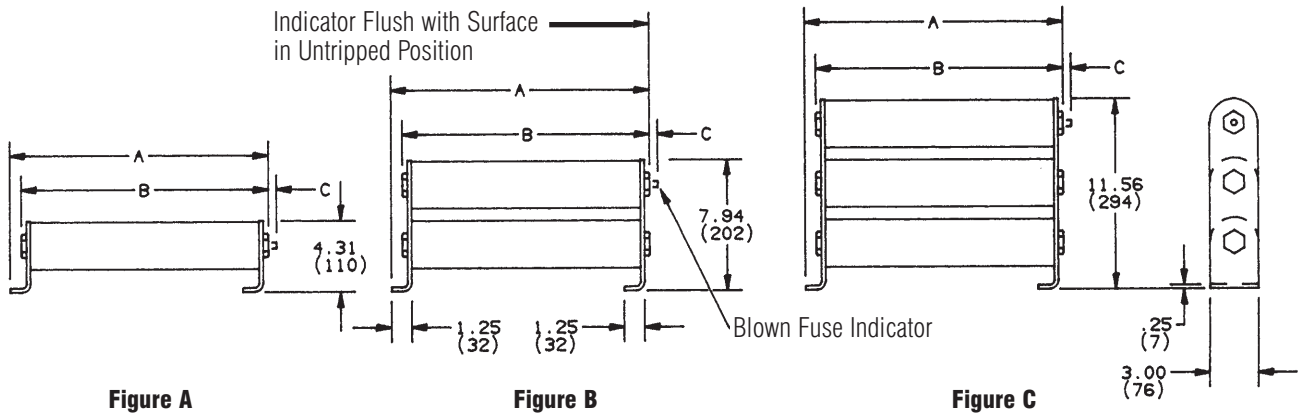
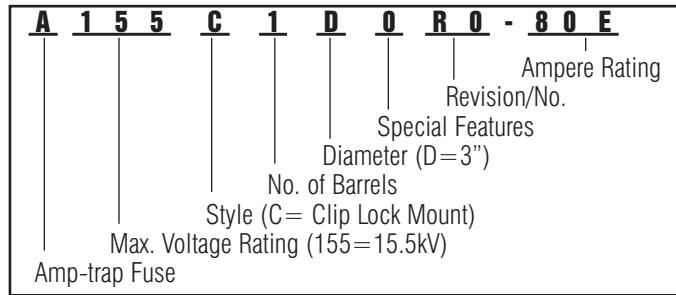


Figure A

Figure B

Figure C

Catalog Numbers, Ratings, Dimensions, CL-14 Series, 15.5kV

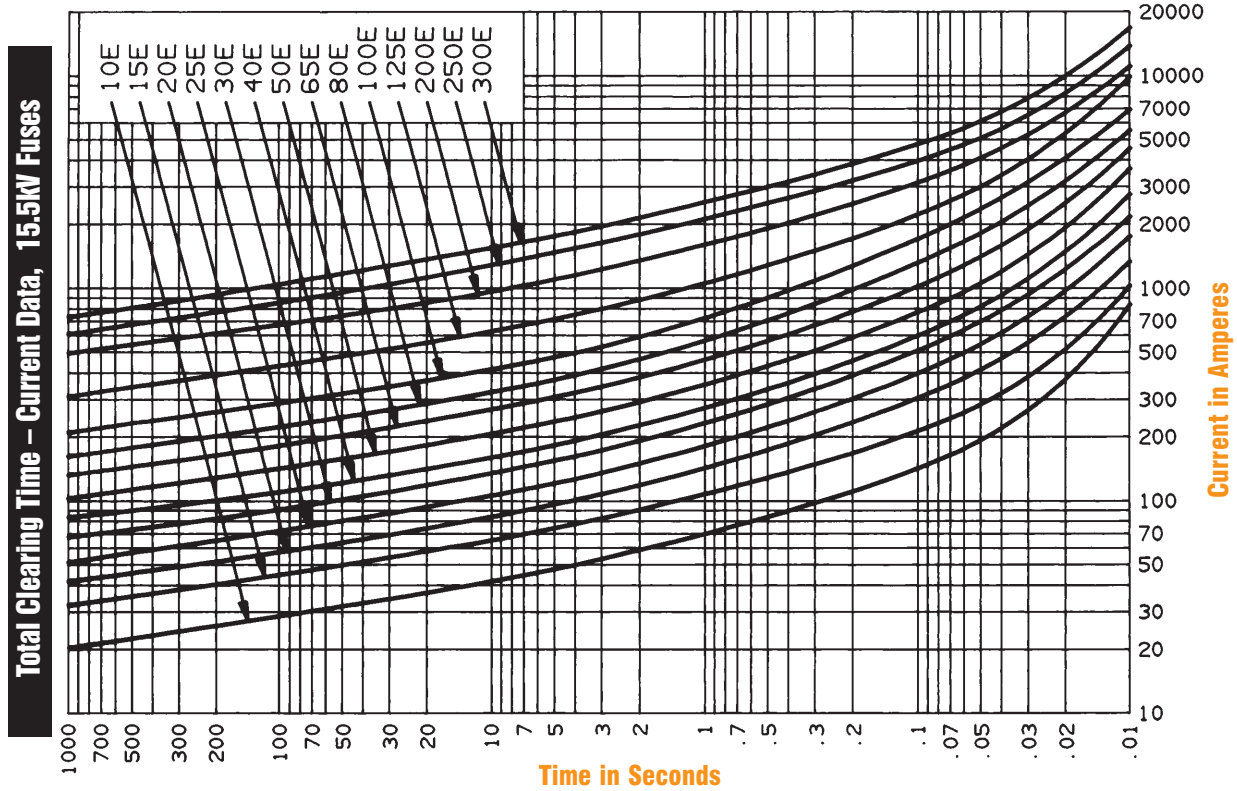
NEW CATALOG NUMBER	OLD CATALOG NUMBER	AMPERE RATING	NUMBER OF BARRELS	FIG.	DIMENSIONS Inches (mm)			INTERRUPTING RATING RMS SYM.* AMPERES
					A	B	C	
15.5kV Max. – Clip-Lock Style – 18.25" (464mm) Clip Centers – 3" (76.2mm) Barrel Diameter								
A155C1DORO-10E 15E 20E 25E 30E 40E 50E	225-007-967 968 969 970 971 972 973	10E 15E 20E 25E 30E 40E 50E	1	A	19.81 (504)	19.12 (486)	0.5 (13) Tripped Force 2 lbs.	50,000
15.5kV Max. – Clip-Lock Style – 21.25" (540mm) Clip Centers – 3" (76.2mm) Barrel Diameter								
A155C1DORO-65E 80E 100E	225-007-974 975 976	65E 80E 100E	1	A	22.81 (580)	22.12 (562)	0.5 (13) Tripped Force 2 lbs.	50,000
A155C2DORO-125E	977	125E	2	B				
A155C3DORO-150E 200E 250E 300E	978 979 980 981	150E 200E 250E 300E	3	C				

* RMS ASYM. AMPERES = RMS SYM. AMPERES x 1.6

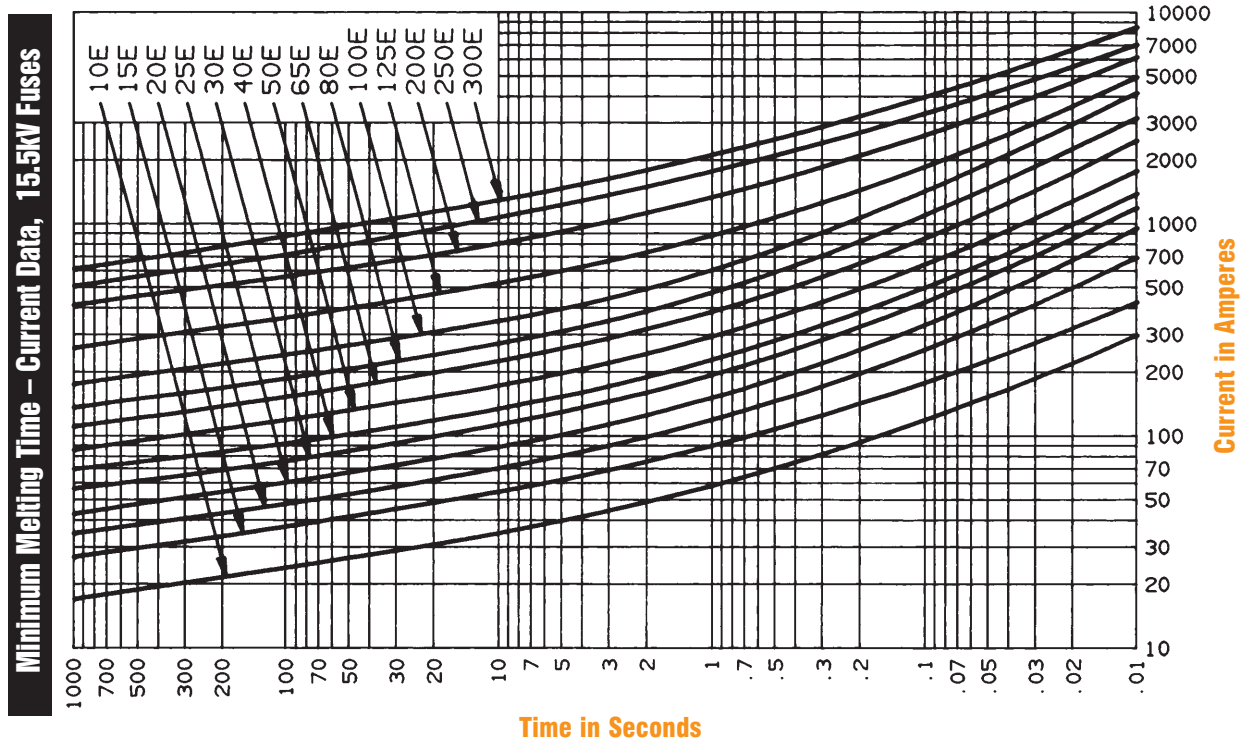
CL-14

E-RATED / MEDIUM VOLTAGE FUSES / A155C

A155C1DORO – 10E to 100E / A155C2DORO – 125E / A155C3DORO – 150E to 300E



A155C1DORO – 10E to 100E / A155C2DORO – 125E / A155C3DORO – 150E to 300E



CL-14

E-RATED / MEDIUM VOLTAGE FUSES / A155C

A155C1DORO – 10E to 100E

A155C2DORO – 125E

A155C3DORO – 150E to 300E

